



Project Name: _____

Schedule / Date: _____

Notes: _____

ETL No.: Intertek

DLC Family Code:

Construction: Designed to upgrade existing fluorescent recessed troffers without modifying the existing fixture housing. Easy installation for retrofit applications.

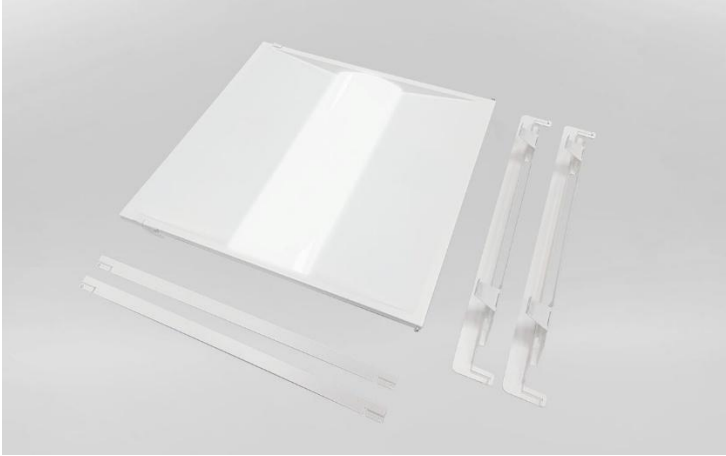
Electrical: Built with a high-quality universal voltage driver, compatible with 120–277V input. Equipped with long-lasting, high-efficiency LED packages for reliable performance.

Optical System: Back-lit optical design delivers uniform light output. The diffuser lens helps reduce glare while improving overall lighting comfort and efficiency.

Dimming: Standard continuous 0–10V dimming for flexible lighting control.

Energy savings: Provides over 50% energy savings compared with traditional fluorescent fixtures. Low heat output helps reduce maintenance requirements and operating costs.

Warranty: 5-Year Limited Warranty. Rated lifetime up to 50,000 hours. Please refer to the warranty documentation for more details.



ORDERING GUIDE

SERIES	CATEGORY	SIZE	WATTAGE	CCT	SENSOR	VOLTAGE
JL	TRFK Center Basket doorframe Retrofit kit	22 2x2'	ZZ Tunable 15 15w 20 20w 25 25w 30 30w 40 40w	CCT Tunable 35 3500k 40 4000k 50 5000k 57 5700k 65 6500k	Blank None S Sensor	VL 120-277V

EXAMPLE: **JL-TRFK22-ZZW-CCT-S-VL**

JL	TRFK Center Basket doorframe Retrofit kit	24 2x4'	ZZ Tunable 30 30w 40 40w 50 50w 60 60w 72 50w	CCT Tunable 35 3500k 40 4000k 50 5000k 57 5700k 65 6500k	Blank None S Sensor	VL 120-277V
----	---	-----------	--	---	----------------------------	---------------

EXAMPLE: **JL-TRFK24-ZZW-CCT-S-VL**



Project Name: _____

Schedule / Date: _____

Notes: _____

SPECIFICATIONS

SKU	53-3202					/	53-3204				
MODEL NO.	JL-TRFK22-ZZW-CCT-S-[VL,VH]					/	JL-TRFK24-ZZW-CCT-S-[VL,VH]				
Brand	Kinlight					Kinlight	Kinlight				
Size	2' x 2'					1' x 4'	2' x 4'				
DLC No.						/					
Wattage	15w	20w	25w	30w	40w	30w	40w	50w	60w	72w	
Efficacy	130 LPW					130 LPW					
Luminous Flux	1950	2600	3250	3810	5000	3900	5200	6500	7500	9000	
Input @120V	131mA	175mA	219mA	263mA	350mA	263mA	350mA	438mA	526mA	631mA	
12Vdc Output	Max Current 200mA					Max Current 200mA					
Color Temp.	3500K 4000K 5000K 5700K 6500K					3500K 4000K 5000K 5700K 6500K					
Input Voltage	AC120-277V, 50/60Hz					AC120-277V, 50/60Hz					
Dimmable	0-10V					0-10V					
CRI	>80					>80					
Beam Angle (°)	120°					120°					
THD	≤20%					≤20%					
Flicker	No Flicker					No Flicker					
Power Factor	≥0.9					≥0.9					
IP Rate	IP20 - Indoor					IP20 - Indoor					
Working Temp.	-20°C ~ +55°C / -4°F ~ +131°F					-20°C ~ +55°C / -4°F ~ +131°F					
Storage Temp.	-40°C ~ +60°C / -40°F ~ +140°F					-40°C ~ +60°C / -40°F ~ +140°F					
Lifespan	50,000h					50,000h					
Pcs/Carton	4					4					
Package Dims	26.38"x8.07"x24.8"					/	50.39"x8.07"x24.8"				
Weight	23.59 lbs					/	40.19 lbs				



Project Name: _____

Schedule / Date: _____

Notes: _____

PRODUCT AND CARTON DIMENSIONS

SIZE SKU	DIAGRAM	DIMENSIONS
2x4 53-3202		<p>PRODUCT 45.39" x 1.89" x 22.1" 8.88 LBS 1 Pcs</p> <p>CARTON 50.39" x 24.8" x 8.07" 40.19 LBS 4 Pcs</p>
2x2 53-3204		<p>PRODUCT 21.5" x 1.89" x 22.1" 5.05 LBS 1 Pcs</p> <p>CARTON 26.38" x 24.8" x 8.07" 23.59 LBS 4 Pcs</p>

PALLET & CONTAINER LOADING

SIZE SKU	WEIGHT	LENGTH	WIDTH	HEIGHT	40' HQ LOADING QTY.
2x2 53-3202	417 LBS	52"	40"	70.1"	2992 pcs
2x4 53-3204	362 LBS	52"	40"	70.1"	1584 pcs







Project Name: _____

Schedule / Date: _____

Notes: _____

ACCESSORIES

SKU	DESCRIPTION	ITEM
78-20179-B	DC PnP Sensor Daylight Bi-Level Standby	
78-20178-A	Remote with display	
44-33008-A	Remote for Sensor	
44-33005-A	Remote for Sensor	

INSTALLATION INSTRUCTIONS

INSTALLATION INSTRUCTIONS

NOTICE

WARNING

- To reduce the risk of death, personal injury or property damage from fire, electric shock, failing parts, cuts/abrasions, and other hazards. Read all warnings and instructions with and on the fixture box and all fixture labels.
- Before installing, servicing, or performing routine maintenance upon this equipment, follow these general precautions.
- Commercial installation, service, and maintenance of luminaires should be performed by a qualified, licensed electrician.
- For the installation: If you are unsure about the installation or maintenance of the luminaires, consult a qualified, licensed electrician and check your local electrical code.
- To prevent wiring damage or abrasion, do not expose wiring to edges of sheet metal or other sharp objects.
- Do not make or alter any open holes in an enclosure of wiring or electrical components during kit installation.

WARNING

- Turn off electrical power at fuse or circuit breaker box before wiring fixture to the power supply.
- Turn off the power when you perform any maintenance.
- Verify that supply voltage is correct by comparing it with the luminaire label information.
- All wiring connections should be capped with UL approved wire connectors.

CAUTION

- Avoid direct eye exposure to the light source while it is on.
- Account for small parts and destroy packing material, as these may be hazardous to children.
- Risk of burn. Disconnect power and allow fixture to cool before changing bulb or handling fixture.
- Note: Green ground screw provided in proper location. Do not relocate.

NOTES

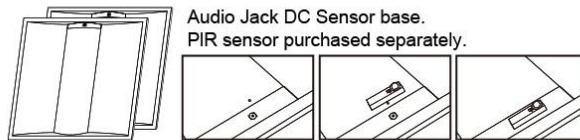
- Minimum 90° supply conductors.
- Specifications and dimensions subject to change without notice.
- Suitable for dry or damp locations.

Caution: Before installing, make certain that AC power to the fixture is off.

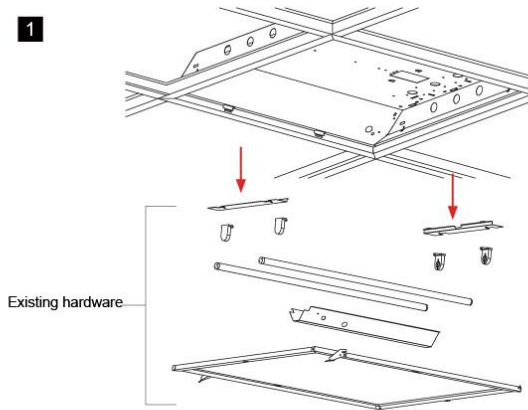
WIRING DIAGRAM



SENSOR



INSTALLATION

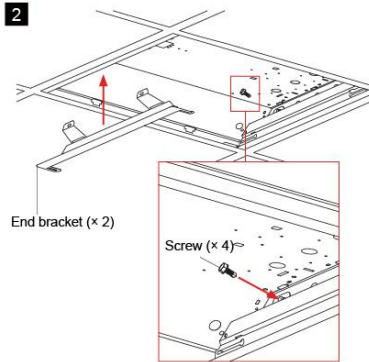


1. Shut off power to the fixture.

Remove existing hardware (lens, lens frame, parabolic louver, reflectors, ballast covers, brackets, lamps, lamp holders). Leave supply and grounding leads.

Note: Follow all federal and local regulations when disposing of lamps and removed components.

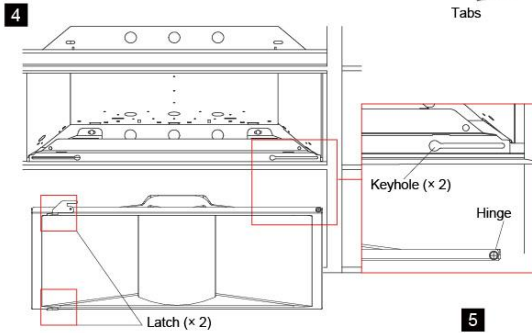
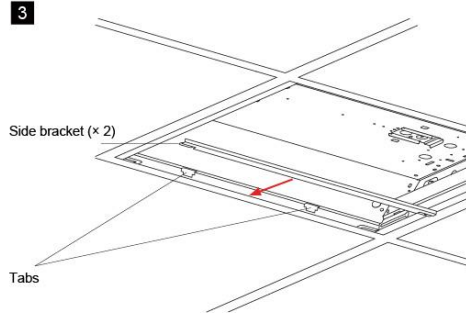
INSTALLATION



2. Install LED panel end brackets to each end of the fixture by gently lifting recessed fixture and placing LED panel end brackets between the fixture and T-grid.

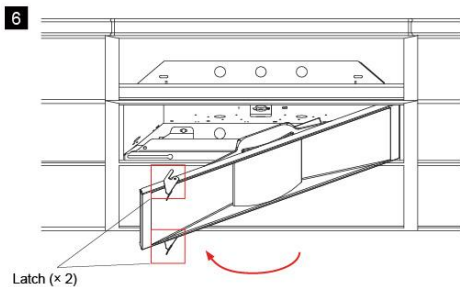
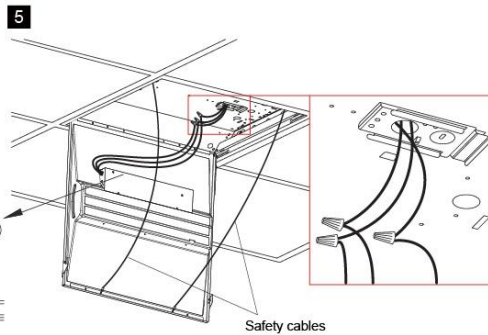
Secure the LED panel brackets to the fixture using the provided #8 x 1/2" self-drilling screws (there are two hole sets to allow clearance of fixture features that may obstruct the screws).

3. Install LED panel side brackets between the fixture and T-grid. If the gap between the fixture and T-grid is too wide, use the two tabs that allow placement of the side brackets into the slot of end brackets.



4. Position the door assembly body onto the keyholes of the end brackets, then slide the door assembly body horizontally to the end of slots.

5. Connect line voltage to black wire, neutral to white wire, and ground to green wire. Hook the safety cables into the holes located on the end brackets.



6. Secure the door assembly body to the door frame by locking the latches riveted to each end of the assembled door frame. Restore power to the fixture.