



Project Name: _____

Schedule / Date: _____

Notes: _____



ETL No.: Intertek **5014001**

DLC Family Code: **XXXFQY**

Construction: Durable steel housing with a white frosted diffuser and impact-resistant molded end caps for a clean, modern appearance.

Electrical: High-efficiency LED technology paired with a premium long-life driver delivers uniform illumination, energy savings, and extended service life. Universal 120-277V input.

Installation: Designed for surface mounting or suspended installation using V-hooks and chain mounting hardware.

Linkable: Fixtures can be connected in series for continuous-row applications.

- 4ft models: Link up to 10 fixtures
- 8ft models: Link up to 5 fixtures

Applications: Warehouse / Manufacturing Facilities / Storage / Retail / Aisles. Suitable for dry and damp indoor locations.

Warranty: 5 years Limited Warranty, Rated for 50,000 hours



ORDERING GUIDE

SERIES	CATEGORY	SIZE	WATTAGE	CCT	SENSOR	EBB
JL	STR Strip Light	4FT 4FT	M45W Tunable	CCT Tunable	Blank None S Sensor	Blank None E Emergency Battery
			25 25w	35 3500k		
			30 30w	40 4000k		
			35 35w	50 5000k		
			40 40w	57 5700k		
			45 45w	65 6500k		
EXAMPLE: JL-STR-4FT-M45W-CCT-S-E						
JL	STR Strip Light	8FT 8FT	M100W Tunable	CCT Tunable	Blank None S Sensor	Blank None E Emergency Battery
			50 50w	35 3500k		
			60 60w	40 4000k		
			70 70w	50 5000k		
			80 80w	57 5700k		
			100 100w	65 6500k		
EXAMPLE: JL-STR-8FT-M100W-CCT-S-E						



Project Name: _____

Schedule / Date: _____

Notes: _____

SPECIFICATIONS

SKU	53-5502					53-5503				
MODEL NO.	JL-STR-4FT-M45W-CCT-S-[Blank,E]					JL-STR-8FT-M100W-CCT-S-[Blank,E]				
Connect(Max)	10					5				
DLC No.	S-VR6SFX					S-3D4XCX				
Brand	Kinlight					Kinlight				
Size	4FT					8FT				
DLC No.	S-VR6SFX					S-3D4XCX				
Wattage	25w	30w	35w	40w	45w	50w	60w	70w	80w	100w
Efficacy	135.6 LPW					135.4 LPW				
Luminous Flux	3390	4068	4746	5424	6780	6770	8124	9478	10832	13540
Input @120V	219mA	263mA	307mA	350mA	438mA	435mA	526mA	614mA	701mA	877mA
12Vdc Output	Max Current 360mA					Max Current 720mA				
Color Temp.	3500K 4000K 5000K 5700K 6500K									
Input Voltage	AC120-277V, 50/60Hz									
Dimmable	0-10V DC									
CRI	>80									
Beam Angle (°)	180°									
THD	≤20%									
Flicker	No Flicker									
Power Factor	≥0.9									
Working Temp.	-20°C ~ +55°C / -4°F ~ +131°F									
Storage Temp.	-40°C ~ +60°C / -40°F ~ +140°F									
Lifespan	50,000h									
Pcs/Carton	6					4				
Package Dims	49.02" x 10.24" x 6.30"					95.47" x 7.09" x 6.30"				
Weight	25.82 lbs					35.89 lbs				



Project Name: _____

Schedule / Date: _____

Notes: _____

PRODUCT AND CARTON DIMENSIONS

SIZE SKU	DIAGRAM	DIMENSIONS
4FT 53-5502		PRODUCT 46.50" x 2.48" x 2.84" 3.11 LBS 1 Pcs
		CARTON 49.02" x 10.24" x 6.30" 25.82 LBS 6 Pcs
8FT 53-5503		PRODUCT 92.90" x 2.48" x 2.84" 6.23 LBS 1 Pcs
		CARTON 95.47" x 7.09" x 6.30" 35.89 LBS 4 Pcs

PALLET & CONTAINER LOADING

SIZE SKU	40' HQ LOADING QTY.
4FT 53-5502	7802 pcs
8FT 53-5503	3880 pcs

The above simulation diagram does not calculate the height and weight of the pallet, and the size and weight information will be slightly different from the actual situation.






Project Name: _____

Schedule / Date: _____

Notes: _____

ACCESSORIES

SKU	DESCRIPTION	ITEM
91-5501	Sensor	
78-20178-A	Remote with display	
53-551	4FT: 2 x V hook and Chain Mounting	

INSTALLATION INSTRUCTIONS

SAFETY INSTRUCTION :

Basic safety precautions should always be followed when installing, including the following:

1. Read instructions carefully before installing.
2. This Strip Light requires professional installation and maintenance.
3. Disconnect the power supply before installing or maintenance.
4. Make sure the wires have been properly connected before powering on the device.
5. Ensure the product has enough space for heat dissipation.
6. Ensure the luminaries are never covered by any heat insulation mat or slim layer material at anytime.
7. Suitable for damp locations.
8. Ambient Temperature: -20°C to 45°C , Avoid direct sunlight.
9. Storage Conditions: Cool & Dry conditions.

INSTALLATION PROCEDURE :

WARNING :

1. SWITCH OFF BEFORE INSTALLATION.
2. SWITCH ON ONLY AFTER COMPLETE INSTALLATION AND EXAMINATION OF THE CIRCUIT.

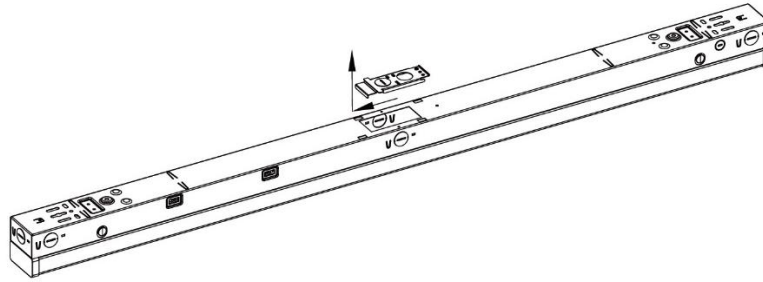
CAUTION :

MAKE SURE THAT THE MOUNTING SURFACE OR STRUCTURAL MEMBER USED FOR INSTALLATION CAN SUPPORT THE WEIGHT OF STRIP LIGHT.

Package Contents	WIRE DIAGRAM
<div style="display: flex; justify-content: space-around; align-items: flex-start;"> <div style="text-align: center;"> <p>X1 for 2FT & 4FT X2 for 8FT Cover Plates</p> </div> <div style="text-align: center;"> <p>X2 for 2FT & 4FT X4 for 8FT Screw</p> </div> <div style="text-align: center;"> <p>X2 for 2FT & 4FT X4 for 8FT Screw</p> </div> <div style="text-align: center;"> <p>X4 for 2FT & 4FT X8 for 8FT Plastic Anchor</p> </div> </div> <div style="display: flex; justify-content: space-around; align-items: flex-start; margin-top: 20px;"> <div style="text-align: center;"> <p>X2 for 2FT & 4FT X3 for 8FT Chain Link</p> </div> <div style="text-align: center;"> <p>X2 for 2FT & 4FT X3 for 8FT V-Hook</p> </div> <div style="text-align: center;"> <p>X2 for 2FT & 4FT X3 for 8FT Screw Eye Hook</p> </div> </div>	<div style="text-align: center;"> <p>WIRE DIAGRAM</p> </div>
<div style="text-align: center;"> <p>CCT & POWER SWITCH</p> <p>For the product with Slide Switch of CCT or power selection, please select the CCT or power needed before installation. (Ignore these steps if without the function)</p> </div>	

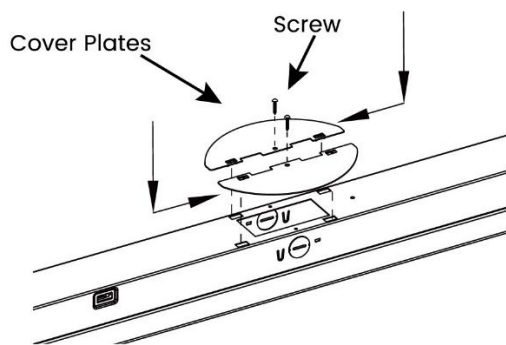
For Surface Mounting

1



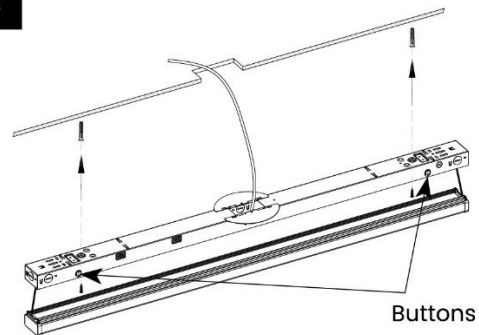
Remove the wiring cover from the light fixture by sliding it in the direction of the arrow.

2



Attach both Cover Plates to the Fixture Housing by sliding in the direction of arrows.

3

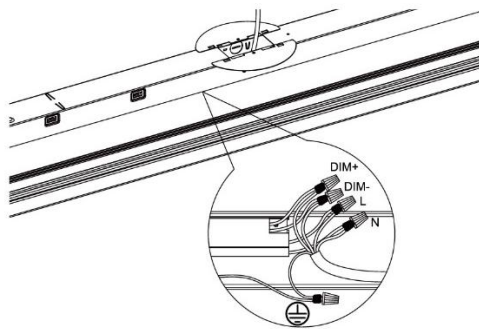


⚠ The Lens may drop out quickly!

Press and hold the Release Buttons on both sides of the Fixture Housing to release the Lens.

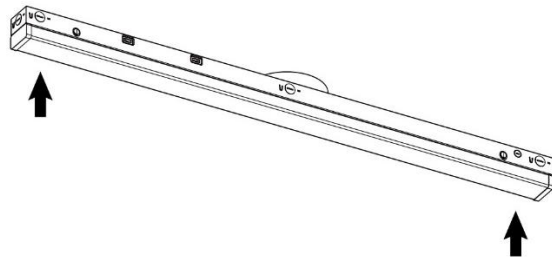
Feed supply wires through Wire Access Hole. Secure the fixture to the ceiling with the provided plastic sleeve and screws.

4



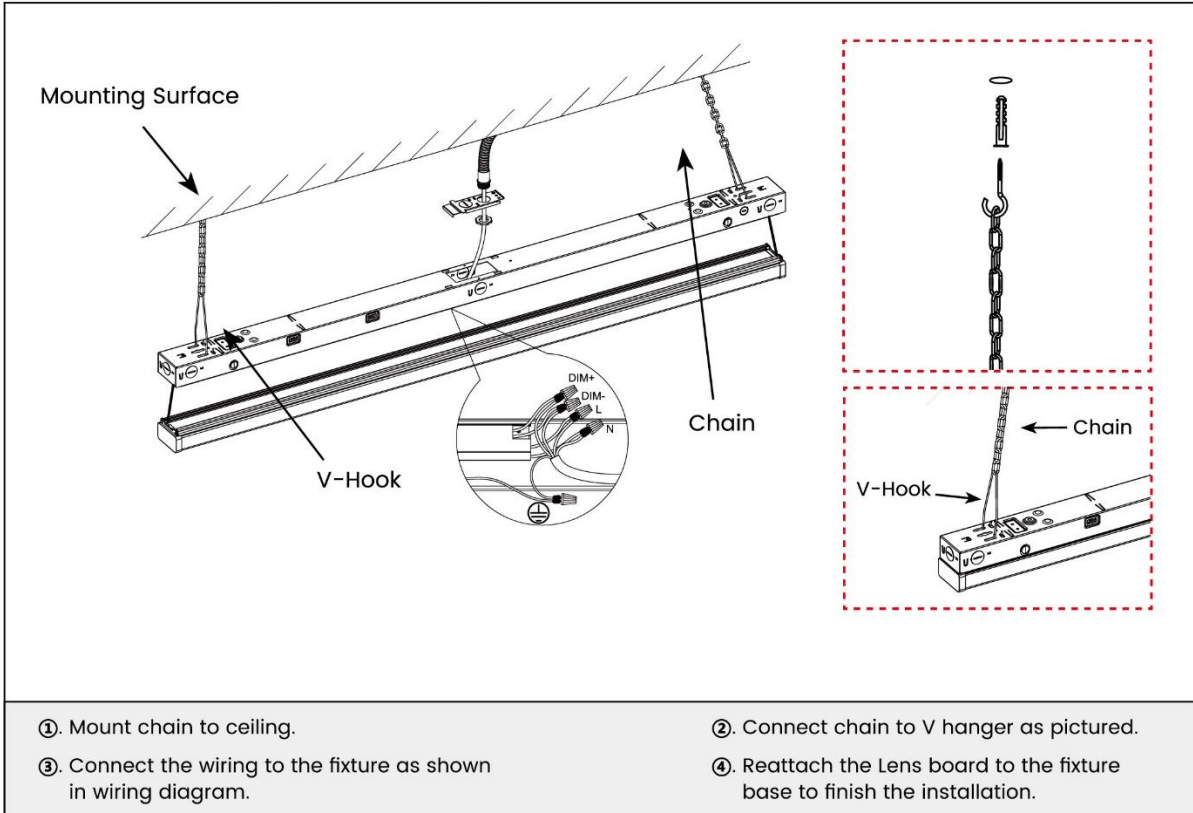
Make electrical connections as shown in wiring diagram. Push all wires back into Fixture Housing.

5

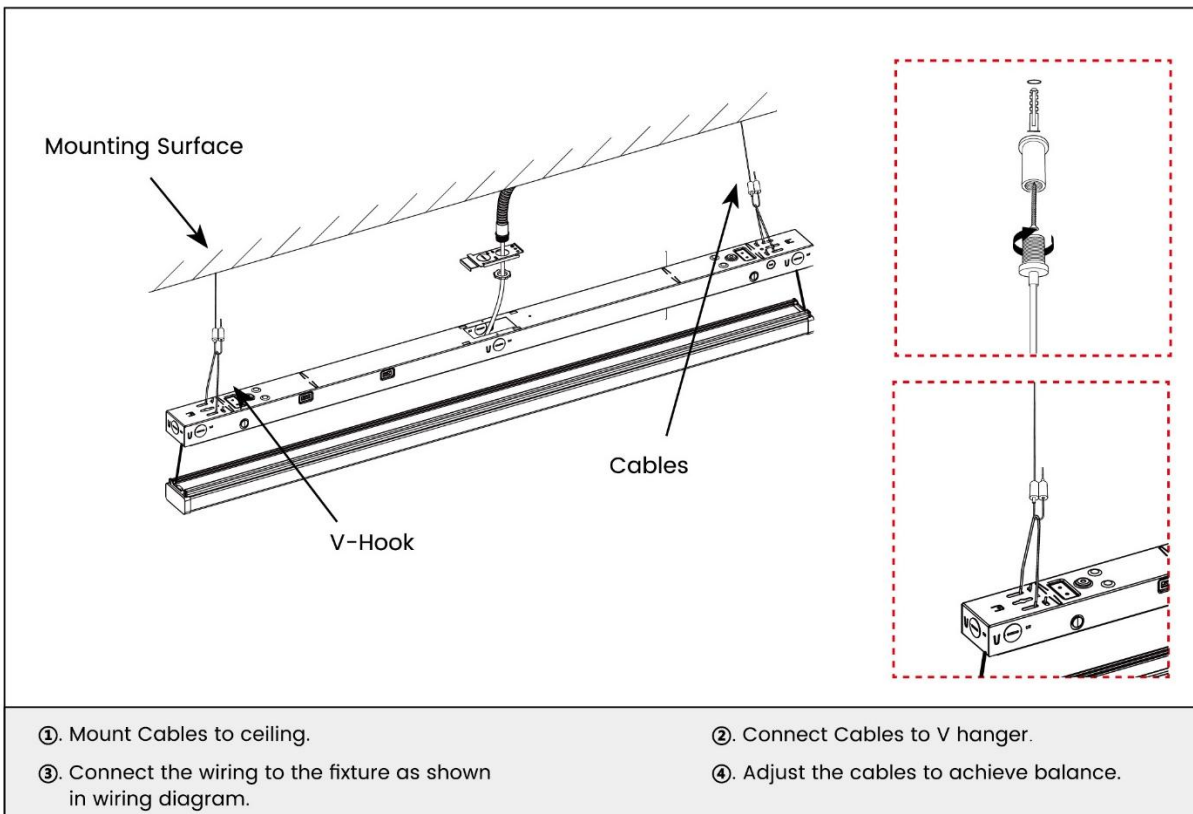


Reattach the Lens board to the fixture base to finish the installation.

For V-Hook/Chain Mounting



For V-Hook/Suspension Cables (purchase separately)



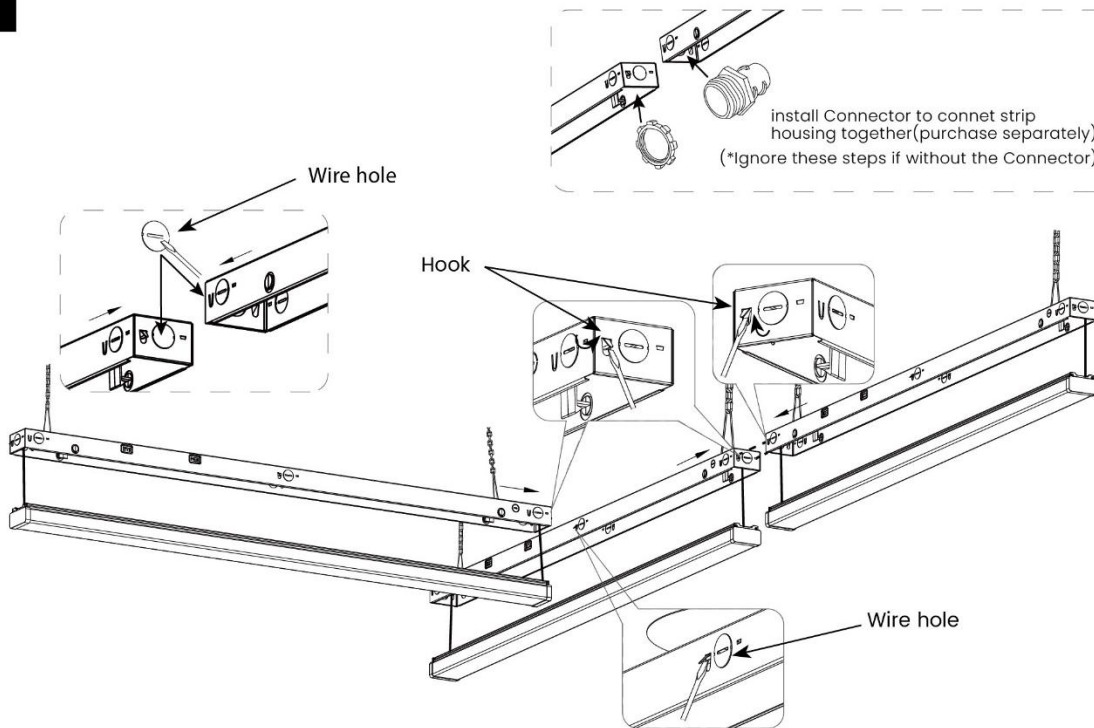
Connected in Series



WARNING:

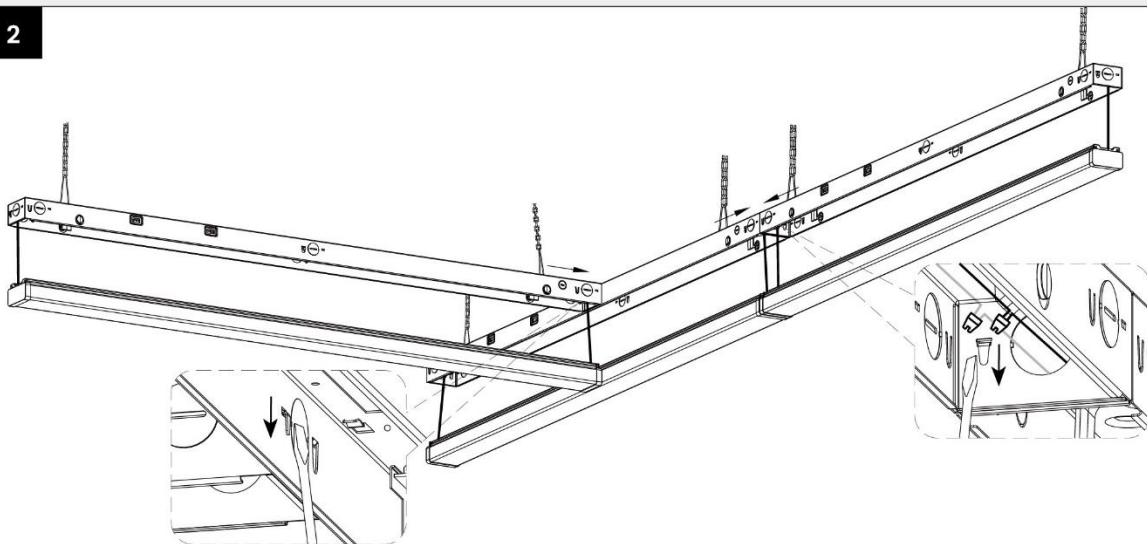
This LED Strip Light can be connected in series. Max 10pcs for 4ft, or 5pcs for 8ft. Connect wires as shown in wiring diagram.

1



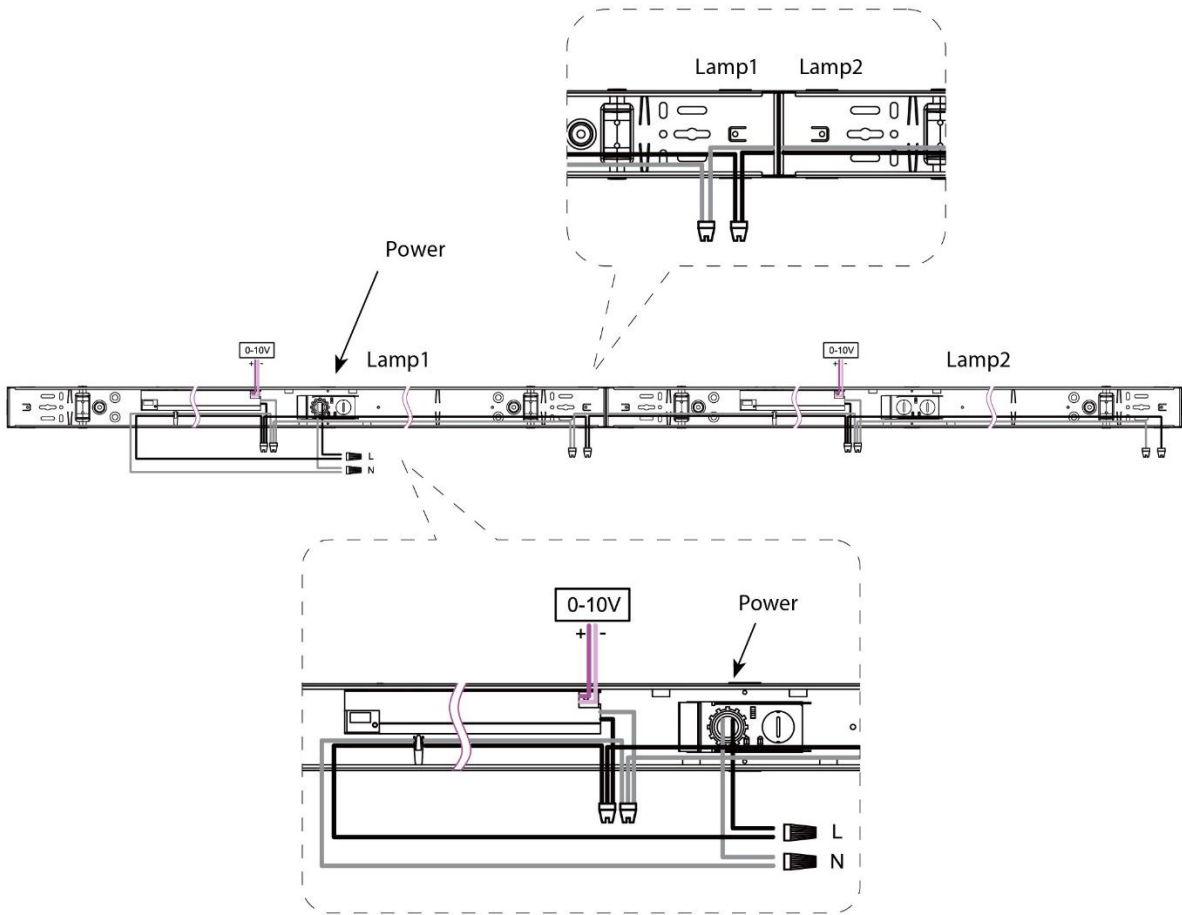
Use a screwdriver to pry open the Hook and open the Wire hole. Insert the hook into the hole in the direction of the arrow.

2



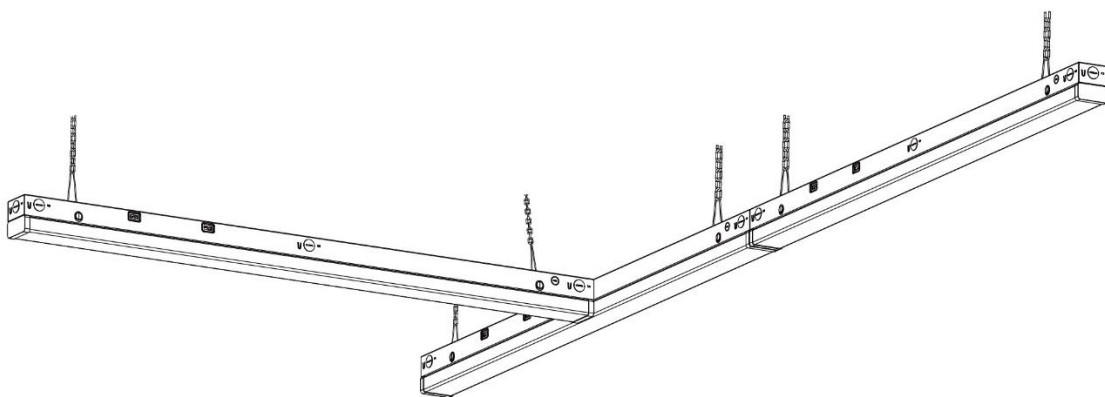
Reset the hook with screwdriver, to make sure the lamps are securely connected.

3



Make electrical connections.

4



Connect multiple fixtures together Create a variety of shapes.