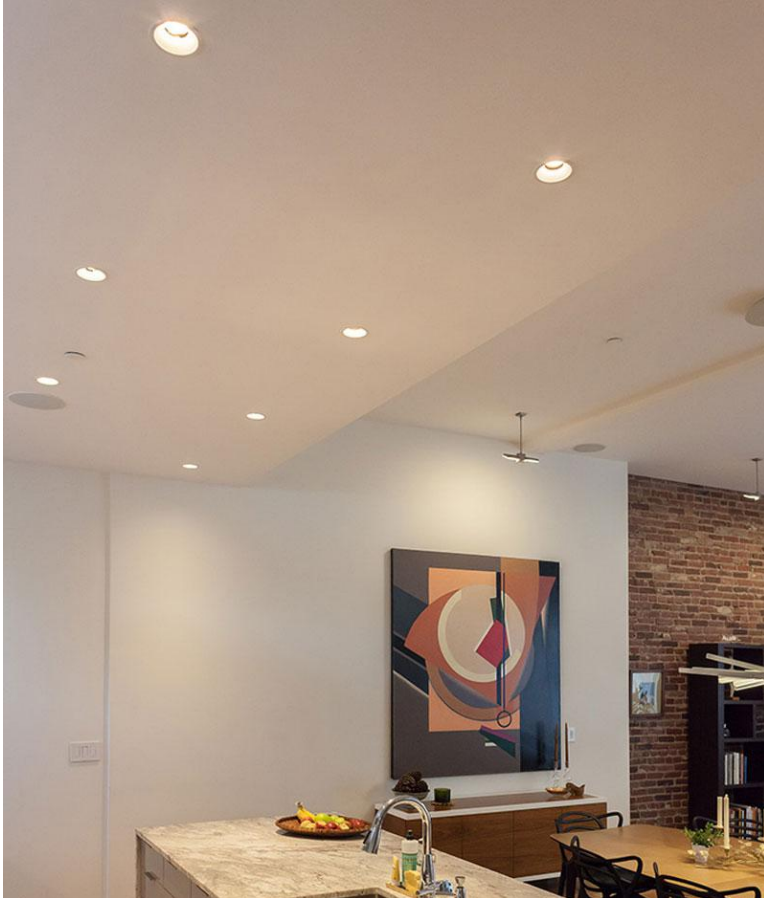


JOB NAME: \_\_\_\_\_

Date: \_\_\_\_\_

TYPE: \_\_\_\_\_

## K12 Series 6" 15W Eco Baffle Retrofit Trim



## PRODUCT BENEFITS

- Compatible with most dimmers down to 10%.
- Instant on.
- Easy & Fast install thanks to innovated design.
- 5 years warranty.

## PRODUCT FEATURES

- CCT Options: Available in 3000K and 5000K ,2700K,3500K,4000K are available by request.
- Dim: Triac dimmable.
- Type of protection: Damp location.
- Connector box with push wire terminal for tool-free connection.
- Low profile luminaire can be installed.



JOB NAME: \_\_\_\_\_

Date: \_\_\_\_\_

TYPE: \_\_\_\_\_

## PRODUCT DATASHEET

### ELECTRICAL SPECIFICATIONS

<b>Voltage:</b>	AC 120V
<b>Frequency:</b>	60Hz
<b>Wattages:</b>	15W
<b>Power Factor:</b>	≥0.90
<b>Input Current:</b>	150mA
<b>THD:</b>	≤20%
<b>Ripple Current:</b>	≤5%
<b>Frequency of LED current:</b>	≥120Hz

### LIGHTING SPECIFICATIONS

<b>LUMENS:</b>	1200 lm
<b>Color:</b>	2700K,3000K,3500K,4000K,5000K
<b>Efficiency:</b>	80 LPW
<b>Ra:</b>	≥92
<b>R9:</b>	≥0
<b>SDCM:</b>	≤6
<b>Duv:</b>	≤0.006
<b>Beam Angle:</b>	100°
<b>Dimmable:</b>	Triac dimmable

### OPERATION AND INFORMATION

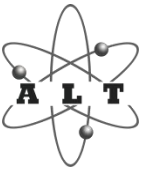
<b>Housing:</b>	Aluminum
<b>Optical-Lens:</b>	PC
<b>Operating Temp:</b>	-4°F ~ + 113°F
<b>Storage Temp:</b>	-22°F ~ + 149°F
<b>Usage Environment:</b>	Damp Location
<b>Environment:</b>	Indoor

### SHIPPING

<b>Product Net weight:</b>	0.53lbs
<b>Master Carton Size:</b>	25.20" x 22.60" x16.30"
<b>Quantity/Carton:</b>	64pcs
<b>Gross Weight:</b>	32.63lbs
<b>Pcs / Pallet:</b>	640cs
<b>Pcs / 20' GP:</b>	5760pcs (No Pallet) / 6400pcs (Palletized)
<b>Pcs / 40' HQ:</b>	13821pcs (No Pallet) / 12800pcs (Palletized)

### CERTIFICATES

<b>Standard:</b>	ETL,ES,CE,RoHS
<b>Warranty:</b>	5 years



JOB NAME: \_\_\_\_\_

Date: \_\_\_\_\_

TYPE: \_\_\_\_\_

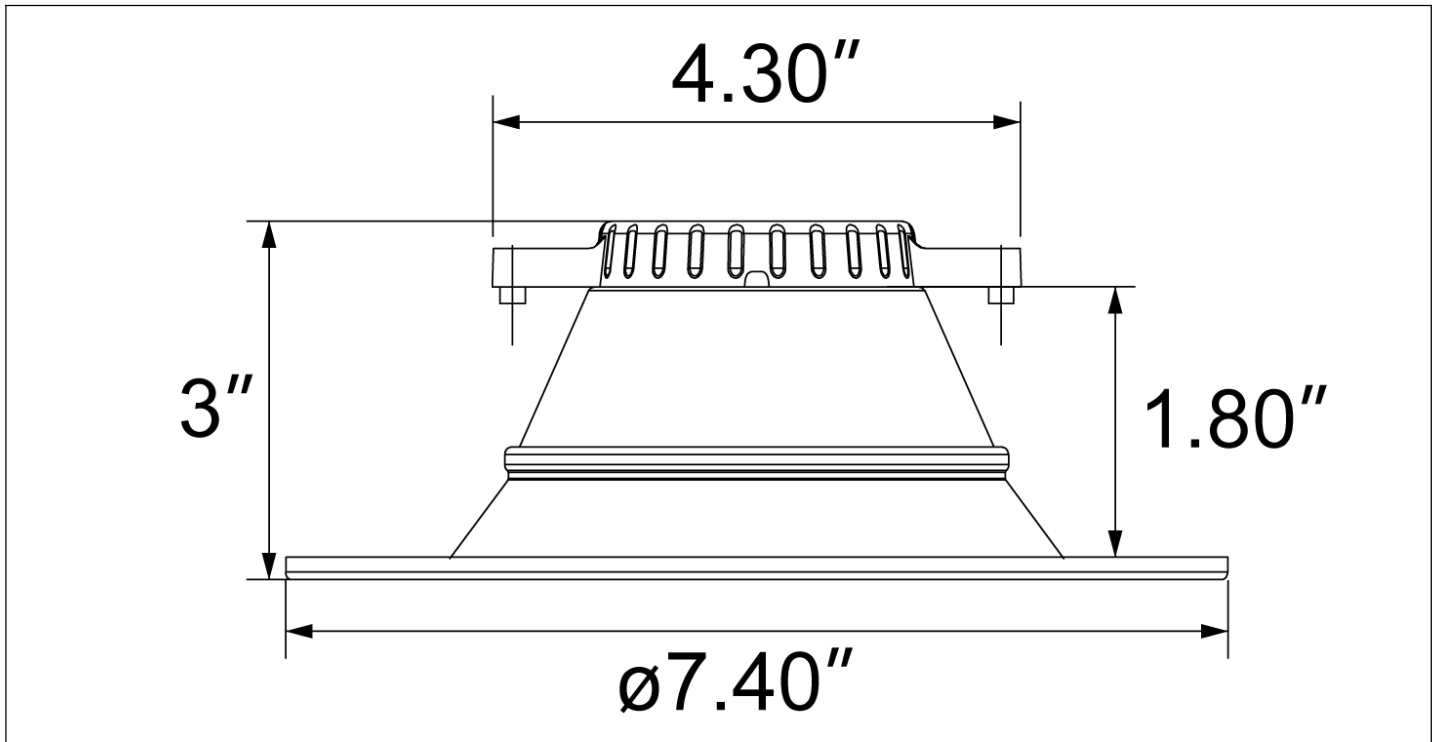
### SPECIFICATIONS / ORDER INFO

SKU	Catalog Number	SIZE
LU10072-X	K12-15W-6HV-XXK-LR-WH	6"

### LAMP CODE DEFINITIONS

Category	Wattage	Size	Voltage	CCT	Shape	Color
K12=Series Number	15W	6=6"	HV=120V	XXK=27K,30K,35K,40K, 50K	LR=Round	WH=White

### SIZE CHART





# ENERGY STAR CERTIFIED Light Fixtures

## ALT - SSL downlight retrofit : K12-15W-6HV-##K-LR-\*\*

Specifications	
ENERGY STAR Unique ID:	2352060
ENERGY STAR Partner:	ALT
Brand Name:	ALT
Model Name:	SSL downlight retrofit
Model Number:	K12-15W-6HV-##K-LR-**
Indoor/Outdoor:	Indoor
Fixture Type:	Downlight Solid State Retrofit
Technology:	LED
Total Light Output (lumens):	900
Appearance/Correlated Color Temperature (K):	2700K
Total Input Power (Watts):	15.0
Color Quality (CRI):	92
Energy Efficiency - Measured Outside the Fixture (lumens/Watt):	60.0
Power Factor:	0.98
Light Source Life (hrs):	50000
Special Features:	Continuously Dimmable,Damp Location Rated
Light Source Connection/Base Type:	N/A
Date Available On Market:	2019-11-13
Date Certified:	2019-12-23
Markets:	United States, Canada
ENERGY STAR Certified:	Yes

## Additional Model Information

,,“##” represents  
CCT, it can be  
27=2700K,30=3000K,  
35=3500K,40=4000K,  
50=5000K “\*\*\*”  
represents  
enclosure  
color, it can  
be WH=White,  
BK=Black,BR=Bronze,  
BN=Brushed  
Nickel.; ,K17-15  
W-6BJ-##K-LS-  
\*\*  
,

**UPC Codes**

**Captured On:**  
12/21/2021