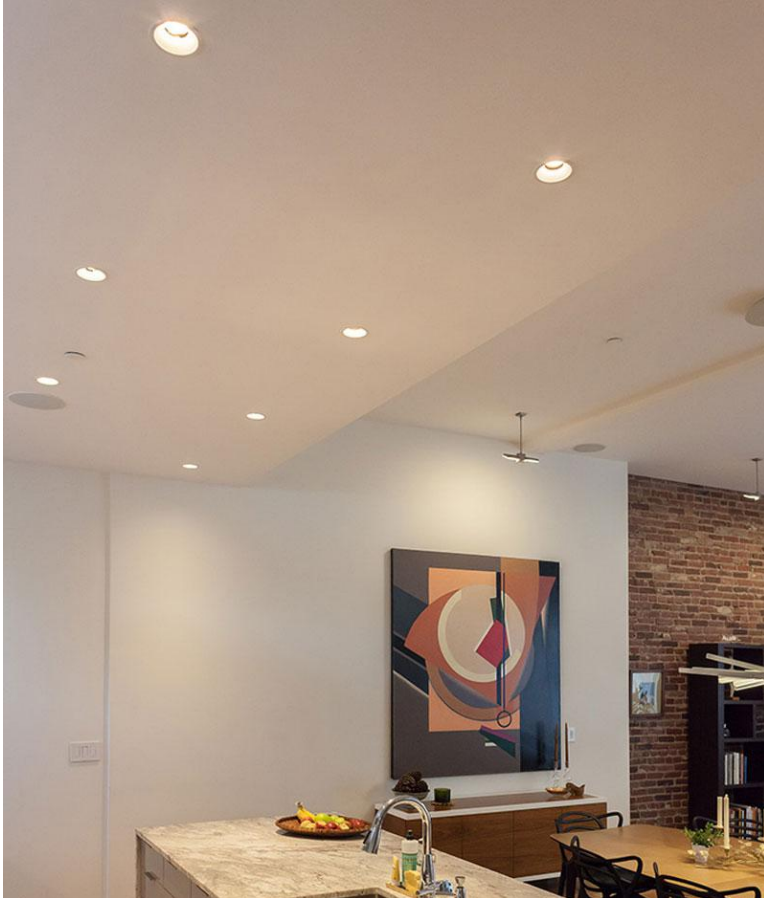


JOB NAME: _____

Date: _____

TYPE: _____

K12 Series 4" 10W Eco Baffle Retrofit Trim



PRODUCT BENEFITS

- Compatible with most dimmers down to 10%.
- Instant on.
- Easy & Fast install thanks to innovated design.
- 5 years warranty.

PRODUCT FEATURES

- CCT Options: Available in 3000K and 5000K ,2700K,3500K,4000K are available by request.
- Dim: Triac dimmable.
- Type of protection: Damp location.
- Connector box with push wire terminal for tool-free connection.
- Low profile luminaire can be installed.



JOB NAME: _____

Date: _____

TYPE: _____

PRODUCT DATASHEET

ELECTRICAL SPECIFICATIONS

Voltage:	AC 120V
Frequency:	60Hz
Wattages:	10W
Power Factor:	≥0.90
Input Current:	100mA
THD:	≤20%
Ripple Current:	≤5%
Frequency of LED current:	≥120Hz

LIGHTING SPECIFICATIONS

LUMENS:	800 lm
Color:	2700K,3000K,3500K,4000K,5000K
Efficiency:	80 LPW
Ra:	≥92
R9:	≥0
SDCM:	≤6
Duv:	≤0.006
Beam Angle:	100°
Dimmable:	Triac dimmable

OPERATION AND INFORMATION

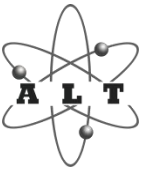
Housing:	Aluminum
Optical-Lens:	PC
Operating Temp:	-4°F ~ + 113°F
Storage Temp:	-22°F ~ + 149°F
Usage Environment:	Damp Location
Environment:	Indoor

SHIPPING

Product Net weight:	0.35lbs
Master Carton Size:	18.11" x 12.99" x17.72"
Quantity/Carton:	60pcs
Gross Weight:	21.61lbs
Pcs / Pallet:	1680pcs
Pcs / 20' GP:	25200pcs (No Pallet) / 16800pcs (Palletized)
Pcs / 40' HQ:	61800pcs (No Pallet) / 33600pcs (Palletized)

CERTIFICATES

Standard:	ETL,ES,CE,RoHS
Warranty:	5 years



JOB NAME: _____

Date: _____

TYPE: _____

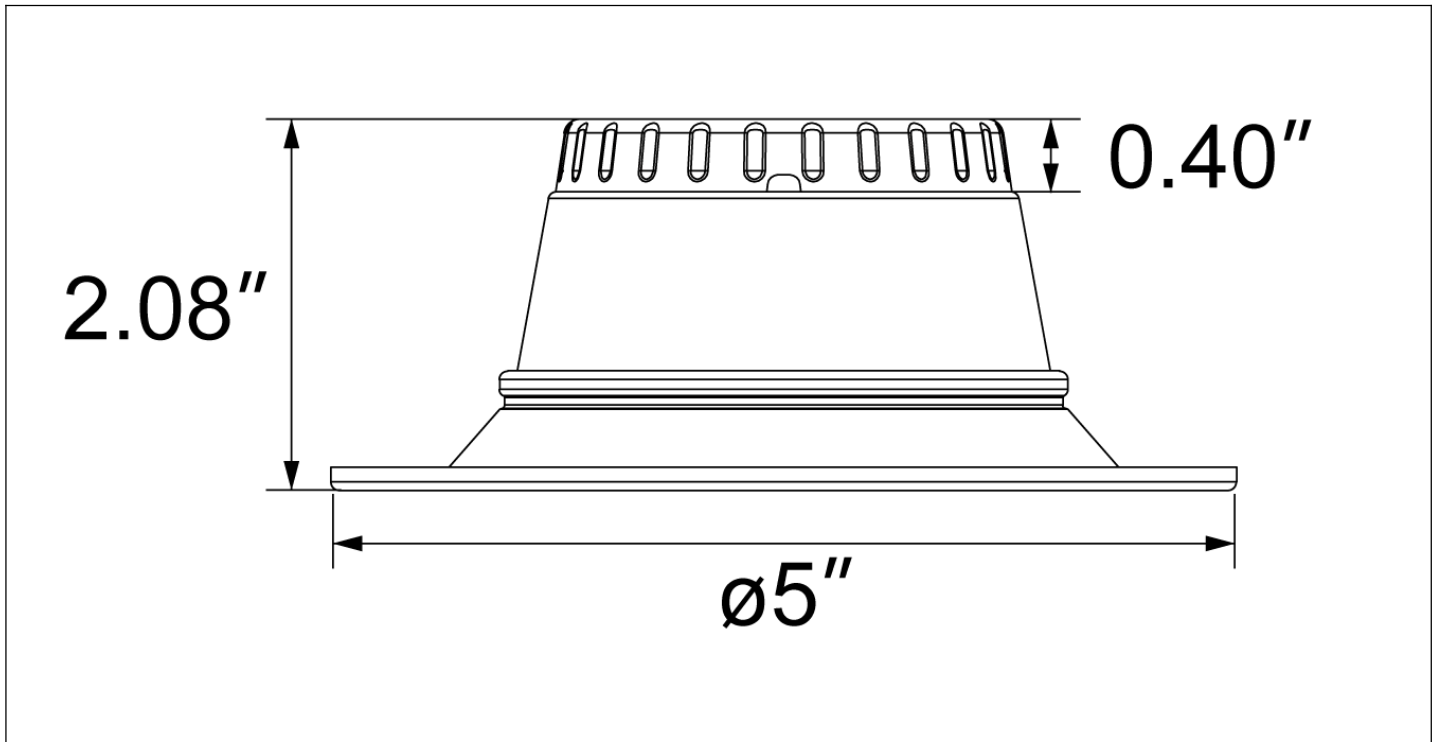
SPECIFICATIONS / ORDER INFO

SKU	Catalog Number	SIZE
LU10070-X	K12-10W-4HV-XXK-LR-WH	4"

LAMP CODE DEFINITIONS

Category	Wattage	Size	Voltage	CCT	Shape	Color
K12=Series Number	10W	4=4"	HV=120V	XXK=27K,30K,35K,40K, 50K	LR=Round	WH=White

SIZE CHART





ENERGY STAR CERTIFIED
Light Fixtures

ALT - SSL downlight retrofit : K12-10W-4HV-##K-LR-**

Specifications

ENERGY STAR Unique ID:	2352059
ENERGY STAR Partner:	ALT
Brand Name:	ALT
Model Name:	SSL downlight retrofit
Model Number:	K12-10W-4HV-##K-LR-**
Indoor/Outdoor:	Indoor
Fixture Type:	Downlight Solid State Retrofit
Technology:	LED
Total Light Output (lumens):	600
Appearance/Correlated Color Temperature (K):	2700K
Total Input Power (Watts):	10.0
Color Quality (CRI):	93
Energy Efficiency - Measured Outside the Fixture (lumens/Watt):	60.0
Power Factor:	0.98
Light Source Life (hrs):	50000
Special Features:	Continuously Dimmable,Damp Location Rated
Light Source Connection/Base Type:	N/A
Date Available On Market:	2019-11-13
Date Certified:	2019-12-23
Markets:	United States, Canada
ENERGY STAR Certified:	Yes

Additional Model Information

,,“##” represents
CCT, it can be
27=2700K,30=3000K,
35=3500K,40=4000K,
50=5000K “***”
represents
enclosure
color, it can
beWH=White,
BK=Black,BR=Bronze,
BN=Brushed
Nickel.; ,K17-10
W-4BJ-##K-LS-
**
,

UPC Codes

Captured On:
12/21/2021