



JENLIGHTING

JEN-ST03

LED LINEAR STRIP



FEATURES AND SPECIFICATIONS

Construction

Easy to open the strip light for quick installation.
Non-Yellow PC Lens.
Linkable design for continuous row mount
2FT , 4FT and 8FT Options

Electrical

Input Voltage: 120-277VAC
Compatible with standard 0-10V dimmer
Transparent end cap to make light without shadow when continuous row installation
Wattage&CCT switchable through DIP-switches.
Emergency battery,motion sensor,surface mounted kitfor option

Applications

Offices, retail, schools, restaurants, healthcare, residential, and hospitality applications.

Installation

- Suspend the strip light by using suspension wire.
- Continuous row installation
- Surface mounted

Listing

- Comply with the requirements of the Standard(s) for Luminaires (CAN/CSA-C22.2No.250.0) and are identified with the cETL Listed Mark
- DesignLights Consortium ®(DLC)Premium.

Warranty

- 5-year limited warranty



Specs at a Glance

* Nominal Wattage (Switchable)

Configuration	J-ST03-4FT40WS-3545K	J-ST03-8FT90WS-3545K
CCT (K)	3500K-4000K-5000K Tunable	
Wattage (W)*	24W/32W/40W adjustable	64W/75W/90W adjustable
Lumens (lm)	40W=5,200lm 32W=4,160lm 24W=3,120lm	90W=11,700lm 75W=9,750lm 64W=8,320lm
Efficacy (LPW)	130lm/w	
Size	4FT	8FT
CRI	>80	
Input Voltage	120-277V	
Operating Temp	-20°C-45°C	
Certifications	cETLus&DLC 5.1 Premium	cETLus&DLC Standard
Warranty	5-year limited warranty	



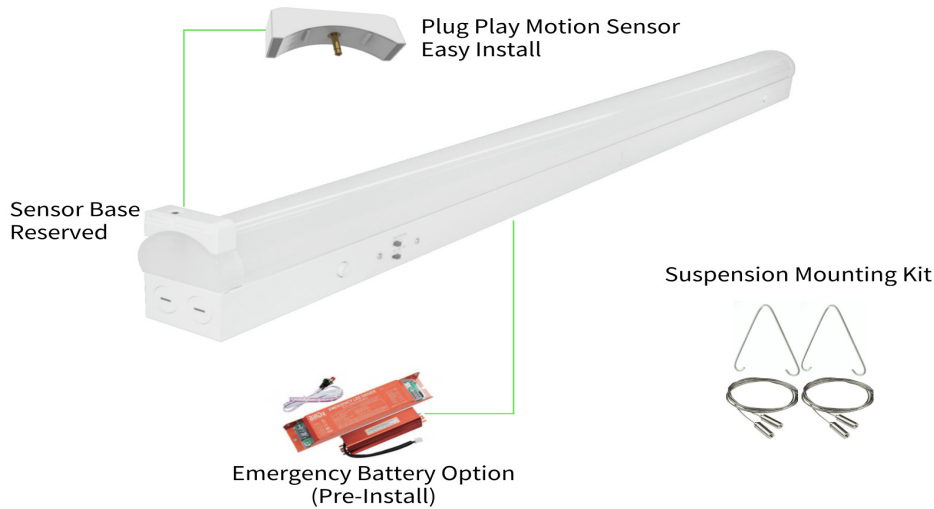
JENLIGHTING

JEN-ST03

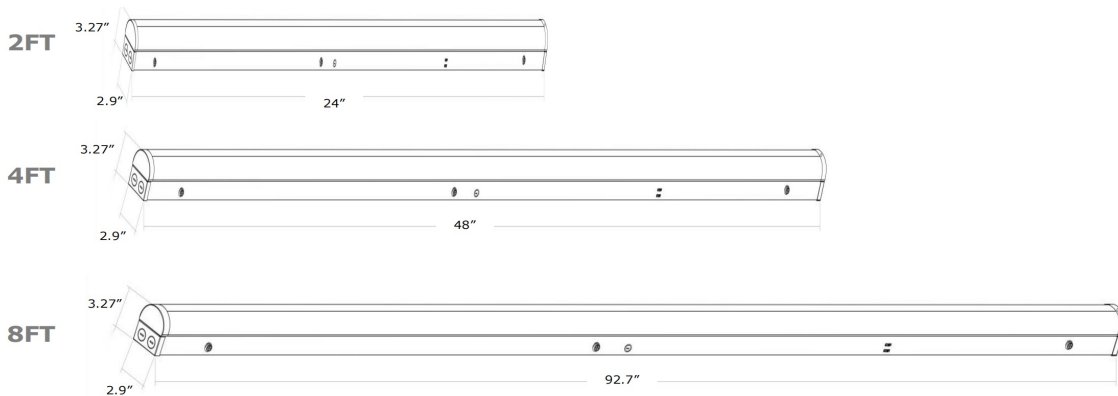
Ordering Guide

Example: J-ST03-4FT40WS-3545K-EM

Brand	Size LX	Wattage xxxW	CCT XX	Blank xx	Input Voltage
JEN Lighting	4F 4FT 8F 8FT	40 24W/32W/40W 90 64W/75W/90W	3500-4000-5000K S CCT and Wattage Selectable	Blank Motion Sensor & Energy Backup M Motion Sensor EM Emergency Backup N Non-motion & emergency	100-277Vac



Dimensions





ACCESSORIES

Emergency Battery

Plug-in Microwave Sensor

Remote Controller

Microwave & Bluetooth Sensor

Junction Box Cover Plate

Linkable Connector



Curved Plug-in Microwave Sensor

- Curved design special for strip light
- Detection Distance: $\geq 3m/9ft$
- Tiny Microwave Sensor with/out Bluetooth-Mesh
- Audio-Jack Classic Connection, 0-10V Dimming, with Daylight Harvesting



Internal Emergency Battery

- UL listed approved
- Emergency power: 8W
- Charging time: 24 hours
- Illumination time: 90 minutes



Remote Controller

- LCD screen display
- Memory and apply function
- Universal smart controller for dimmable sensor



Junction Box Cover Plate

- To cover the ceiling hole
- Color: White electrical box cover



Linkable Connector

- For continuous row installation
- Color: White steel

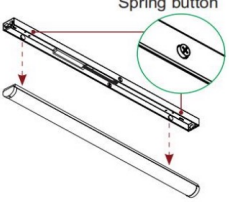
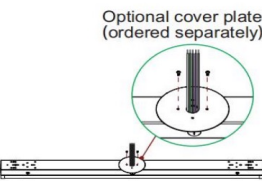

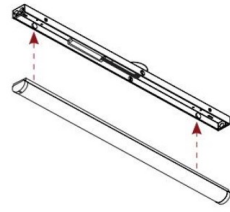


Suspension Kit

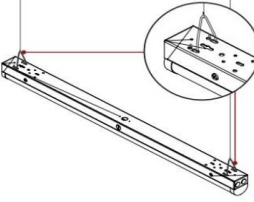
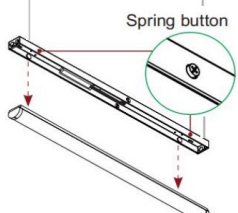
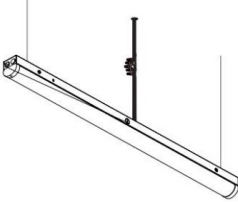
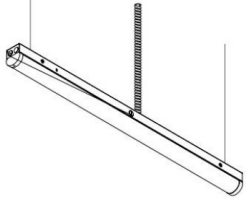
- For suspend the strip light
- Material: stainless steel

INSTALLATIONS

❖ **Surface mounted**

 <p>Step 1: Install appropriate anchors into the ceiling or wall, if needed. Pinch spring buttons to remove the lens.</p>	 <p>Step 2: Optional junction box cover plate may be used.</p>	 <p>Step 3: Route power cord through cover plate and wire accordingly with wire nuts inside junction box.</p>	 <p>Step 4: Replace the lens by pushing upward and secure with spring buttons.</p>
---	--	--	--

❖ **Chain installation**

 <p>Step 1: Attach aircraft cable to each hook and insert hooks into the mounting holes.</p>	 <p>Step 2: Pinch spring buttons to remove the lens and connect wire (if needed) Route power cord and wire according to wire nuts inside junction box.</p>	 <p>Step 3: Attach the aircraft cable to the ceiling and adjust lengths until luminaire is level and secure.</p>	 <p>Step 4: Installation is completed.</p>
---	---	--	---

Packing Info

SIZE	4PCS/CARTON			CONTAINER		
	DIMENSION(INCH)	N.W(LBS)	G.W(LBS)	20'GP(PCS)	40'GP(PCS)	40HQ(PCS)
2ft	25.61"x7.80"x7.92"	8.82	11.02	4330	8968	10514
4ft	50.79"x7.48"x7.87"	16.53	18.08	2284	4732	5548
8ft	98.43"x7.91"x7.87"	35.27	39.68	1114	2308	2706