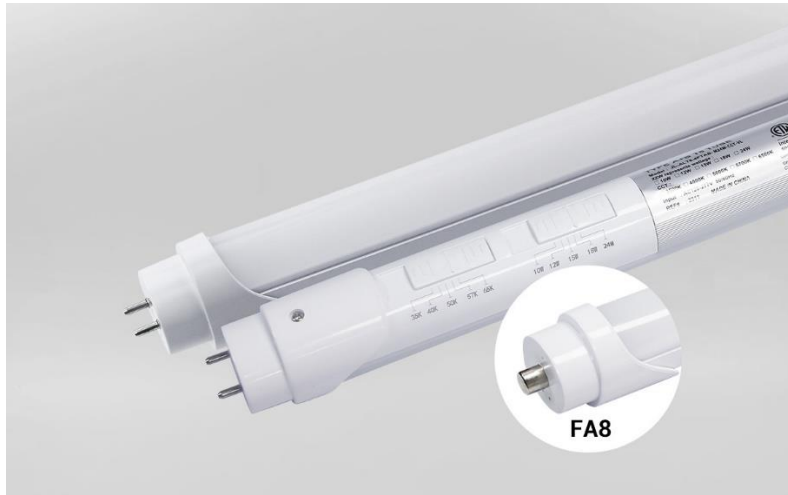




Project Name: \_\_\_\_\_

Schedule / Date: \_\_\_\_\_

Notes: \_\_\_\_\_



Compatible with most instant-and programmed-start electronic T8 Ballasts

Bypass Ballast runs on 120-277V line Voltage

Frosted Cover

Single or Double-ended Wiring

CCT & Wattage Switchable

50,000+ Hour lifetime

Suitable for Dry and Damp indoor locations

Operating temperature -4°F to +113°F

ETL Listed

DLC 5.1

Warranty: 5 Years



## ORDERING GUIDE

SERIES	CATEGORY	SIZE	TYPE	WATTAGE	CCT
JL	ALT8   Plastic/Aluminum T8 Tubes	4   4FT	AB   TYPE A+B/TYPE B	ZZ   Tunable 10   10w 12   12w 15   15w 18   18w 24   24w	CCT   Tunable 35   3500k 40   4000k 50   5000k 57   5700k 65   6500k
EXAMPLE: JL-ALT8-4FTAB-ZZW-CCT					
JL	ALT8   Plastic/Aluminum T8 Tubes	8   8FT	AB   TYPE A+B	ZZ   Tunable 24   24w 30   30w 36   36w 42   42w 48   48w	CCT   Tunable 35   3500k 40   4000k 50   5000k 57   5700k 65   6500k
EXAMPLE: JL-ALT8-8FTAB-ZZW-CCT-					



Project Name: \_\_\_\_\_

Schedule / Date: \_\_\_\_\_

Notes: \_\_\_\_\_

## SPECIFICATIONS

SKU	53-1840					53-1841					53-1850				
MODEL NO.	JL-ALT8-4FTAB-ZZW-CCT					JL-ALT8-4FTB-ZZW-CCT					JL-ALT8-8FTAB-ZZW-CCT				
Brand	Kinlight					Kinlight					Kinlight				
Size	4FT					4FT					8FT				
DLC No.	S-Y7AZTE					S-A2EM8P					S-5LX5PJ				
Wattage	10w	12w	15w	18w	24w	24w	30w	36w	42w	48w	24w	30w	36w	42w	48w
Efficacy	150.7LPW					150.7LPW					150.5 LPW				
Luminous Flux	1519	1841	2327	2765	3638	3612	4515	5418	6321	7251	3612	4515	5418	6321	7251
Input @120V	83mA	100mA	125mA	150mA	200mA	200mA	250mA	300mA	350mA	400mA	200mA	250mA	300mA	350mA	400mA
Color Temp.	3500K   4000K   5000K   5700K   6500K					3500K   4000K   5000K   5700K   6500K					3500K   4000K   5000K   5700K   6500K				
Input Voltage	AC120-277V, 50/60Hz					AC120-277V, 50/60Hz					AC120-277V, 50/60Hz				
Dimmable	0-10V					0-10V					0-10V				
CRI	85					85					85				
Beam Angle (°)	146°					146°					143°				
THD	≤20%					≤20%					≤20%				
Flicker	Flicker					Flicker					Flicker				
Power Factor	≥0.95					≥0.95					≥0.95				
IP Rate	IP20					IP20					IP20				
Working Temp.	-20°C ~ +55°C / -4°F ~ +131°F					-20°C ~ +55°C / -4°F ~ +131°F					-20°C ~ +55°C / -4°F ~ +131°F				
Storage Temp.	-40°C ~ +60°C / -40°F ~ +140°F					-40°C ~ +60°C / -40°F ~ +140°F					-40°C ~ +60°C / -40°F ~ +140°F				
Lifespan	50,000h					50,000h					50,000h				
Pcs/Carton	30					30					20				
Package Dims	48.82" x 7.48" x 6.69"					48.82" x 7.48" x 6.69"					95.28" x 7.28" x 6.30"				
Weight	19.62lbs					19.62lbs					25.68lbs				

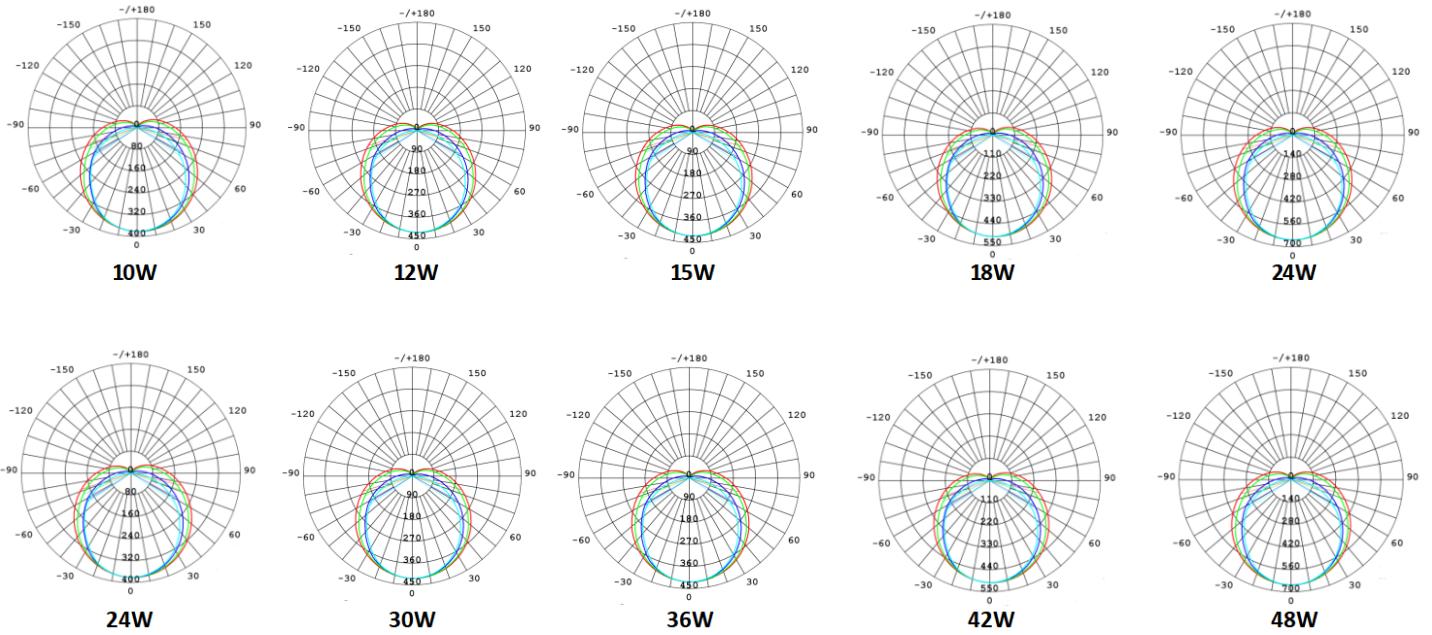


Project Name: \_\_\_\_\_

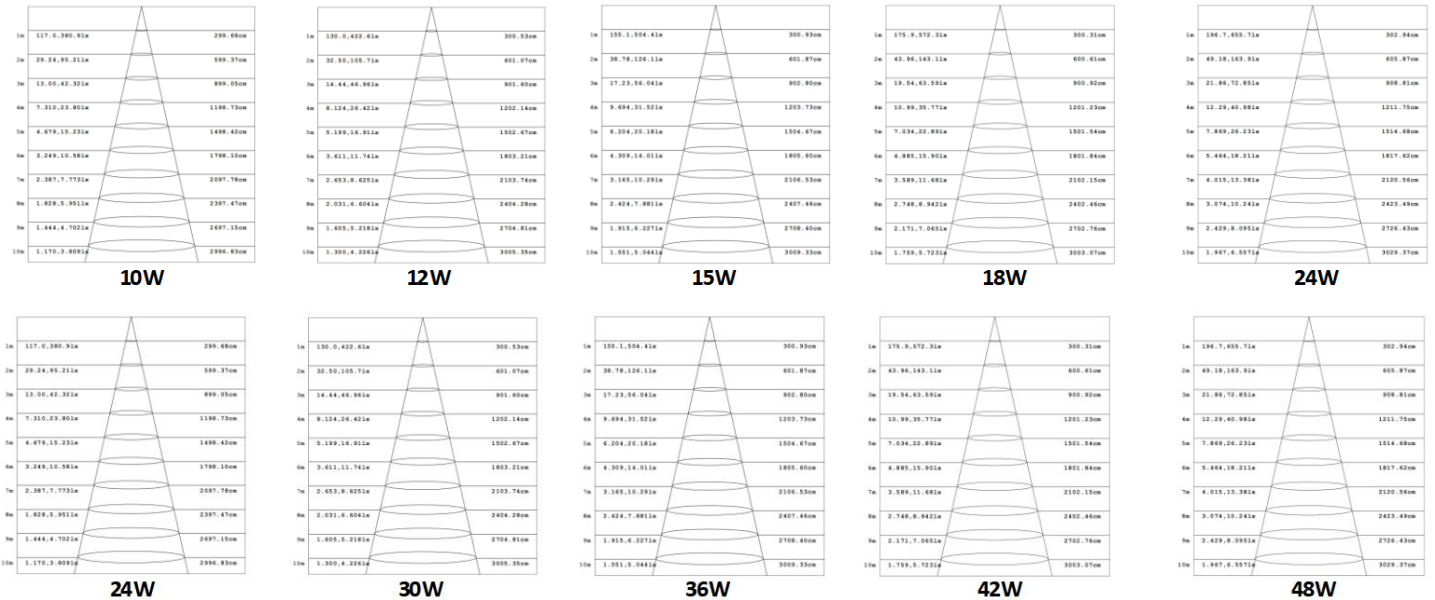
Schedule / Date: \_\_\_\_\_

Notes: \_\_\_\_\_

## DISTRIBUTION CURVE



## DISTANCE CURVE



## INSTALLATION INSTRUCTIONS

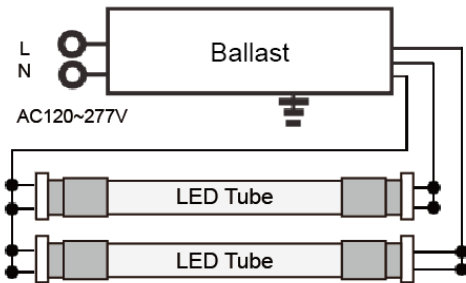
### TYPE AB

\*Warning: Check Ballast Compatibility List Before installation

1. Turn power off.
2. Remove lens or diffuser, if applicable
3. Remove existing fluorescent lamp(s) from the luminaire.
4. Install the LED replacement lamp(s), one lamp for each fluorescent lamp removed\*.
5. Replace lens or diffuser back in place, if applicable.
6. Turn power back on.

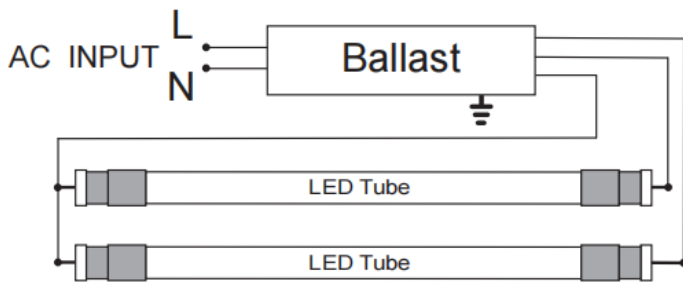
### 4FT

#### PLUG & PLAY



### 8FT

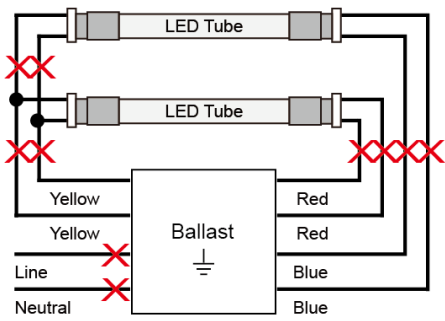
#### PLUG & PLAY



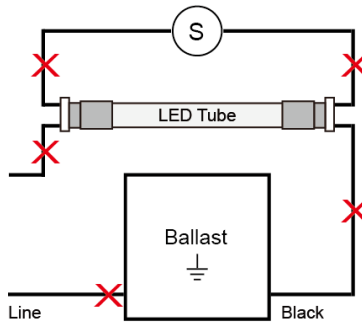
## TYPE B

### BY-PASS REPLACEMENT (WITHOUT BALLAST)

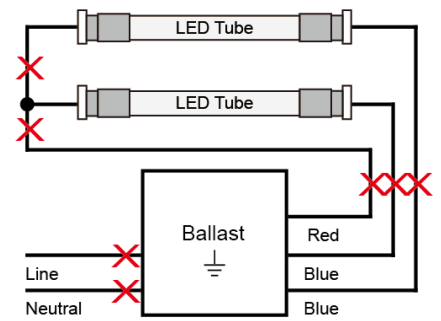
1. Disconnect power from fixture.
2. Remove fluorescent lamps.
3. Remove lens and wiring compartment, if applicable.
4. Cut all wires connected to ballast (see Figure A: Typical Ballast Configurations).



**PROGRAM START**



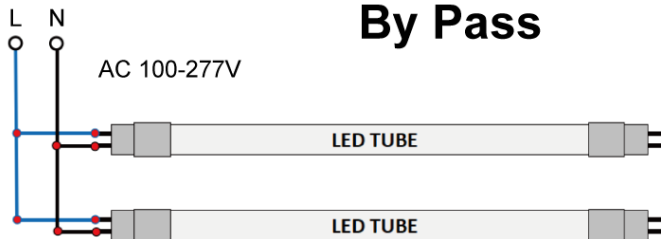
**PREHEAT WITH STARTER**



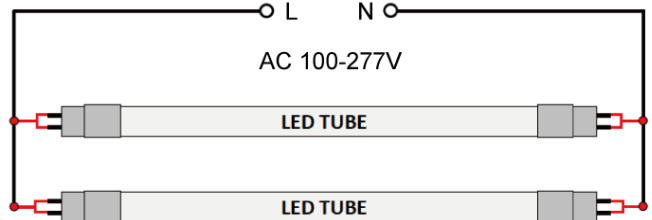
**INSTANT START**

## 4FT

### By Pass

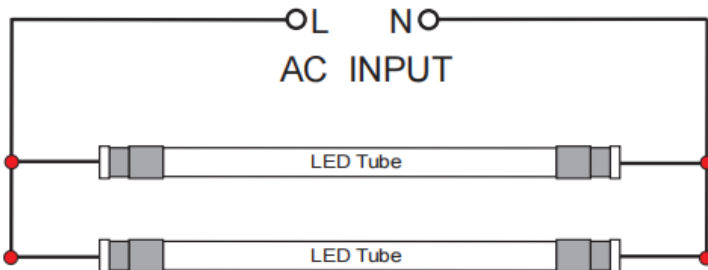


**Singled-ended input**



**Double-ended input**

## 8FT



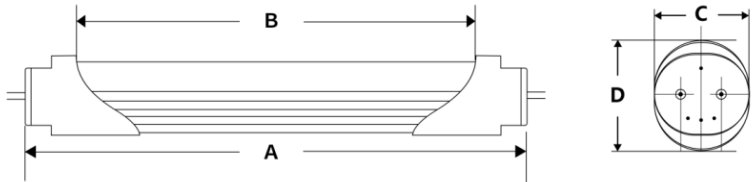
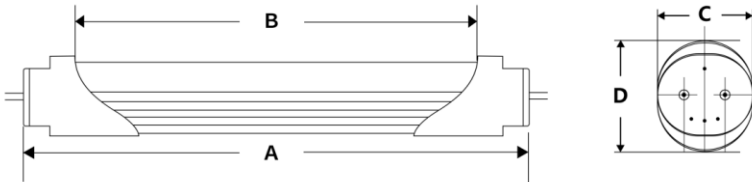
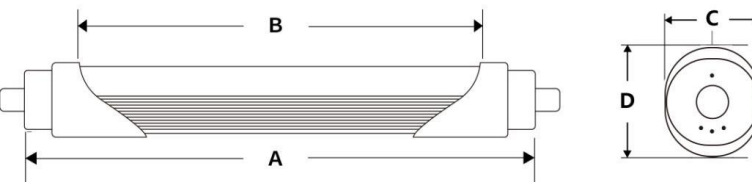
Project Name: \_\_\_\_\_

Schedule / Date: \_\_\_\_\_

Notes: \_\_\_\_\_

\_\_\_\_\_

## PRODUCT AND CARTON DIMENSIONS

SIZE   SKU	DIAGRAM	DIMENSIONS
4FT   53-1840		<p><b>PRODUCT</b>            A (Body Length): 47.17"            B (Illuminated Length): 45.47"            C (Width): 1.32"            D (Height): 1.15"            0.55 LBS   1 Pcs</p> <p><b>CARTON</b>            48.82" x 7.48" x 6.69"            19.62 LBS   30 Pcs</p>
4FT   53-1841		<p><b>PRODUCT</b>            A (Body Length): 47.17"            B (Illuminated Length): 45.47"            C (Width): 1.32"            D (Height): 1.15"            0.55 LBS   1 Pcs</p> <p><b>CARTON</b>            48.82" x 7.48" x 6.69"            19.62 LBS   30 Pcs</p>
8FT   53-1850		<p><b>PRODUCT</b>            A (Body Length): 92.78"            B (Illuminated Length): 91.08"            C (Width): 1.32"            D (Height): 1.15"            1.1 LBS   1 Pcs</p> <p><b>CARTON</b>            95.28" x 7.48" x 6.30"            25.68 LBS   20 Pcs</p>

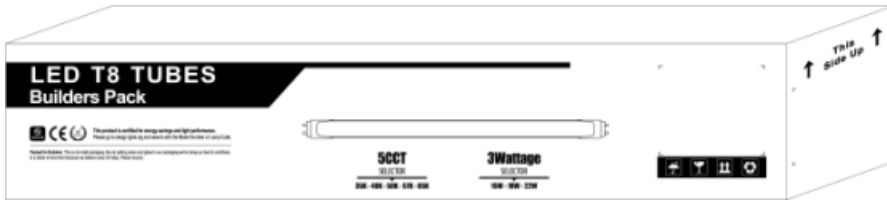


Project Name: \_\_\_\_\_

Schedule / Date: \_\_\_\_\_

Notes: \_\_\_\_\_

SIZE	WEIGHT	40' HQ LOADING QTY.
4FT	33295lbs	50910pcs
8FT	23292lbs	18140pcs



The above simulation diagram does not calculate the height and weight of the pallet, and the size and weight information will be slightly different from the actual situati