



LED HIGH BAY LIGHT

160/250W

HB61A-160 & HB62A-250

SUPERTEK
SMARTLED



QUICK FACTS

1. ETL, DLC5.1 Premium listed
2. 120-277Vac / 120-347Vac Vac optional
3. High efficacy up to 170LM/W
4. CCT and wattage tunable available
5. Microwave motion, photocell sensor / Emergency battery backup optional
6. Unique design, strong extruded lamp body
7. Lifespan: >50,000Hrs
8. 5 years warranty



SPECIFICATIONS

NOTE MARK	MODEL	WATT	EFFICACY	LUMENS	REPLAC HID	AVAILABLE CCT
Single Wattage Single CCT	HB61A-80-50K-LV	80 W	160 LPW	12,800 LM	175-250W	3000/4000/5000K
	HB61A-100-50K-LV	100 W	160 LPW	16,000 LM	250-320W	3000/4000/5000K
	HB61A-120-50K-LV	120 W	160 LPW	19,200 LM	320-400W	3000/4000/5000K
	HB61A-160-50K-LV	160 W	160 LPW	25,600 LM	400-600W	3000/4000/5000K
	HB62A-120-50K-LV	120 W	160 LPW	19,200 LM	320-400W	3000/4000/5000K
	HB62A-160-50K-LV	160 W	160 LPW	25,600 LM	400-600W	3000/4000/5000K
	HB62A-200-50K-LV	200 W	160 LPW	32,000 LM	600-750W	3000/4000/5000K
	HB62A-250-50K-LV	250 W	160 LPW	40,000 LM	750-1000	3000/4000/5000K
Multiple Wattage Single CCT	HB61A-160MW-50K-LV	160/120/100/80W Tunable	160 LPW	25,600/19,200/16,000 12,800 LM	400-600W	3000/4000/5000K
	HB62A-250MW-50K-LV	250/200/160/120W Tunable	160 LPW	40,000/32,000/25,600 19,200 LM	750-1000	3000/4000/5000K
Multiple Wattage Multiple CCT	HB61A-160MW-50KMC-LV	160/120/100/80W Tunable	160 LPW	25,600/19,200/16,000 12,800 LM	400-600W	3000/4000/5000K Tunable
	HB62A-250MW-50KMC-LV	250/200/160/120W Tunable	160 LPW	40,000/32,000/25,600 19,200 LM	750-1000W	3000/4000/5000K Tunable

Note: LV=120-277V MV =120-347V Available MW=Multiple Wattage MC=Multiple CCT

Electrical Data

Input Voltage	120-277/ 120-347 Vac
Power Factor	0.9
Power Frequency	50/60Hz
Power Efficiency	>90%
Total Harmonic Distortion	<15%
Dimming	0-10V
Surge Protection	L-N: 4KV;L/N-PG: 6KV
Driver	120-277/120-347

Optical Data

Efficiency	160 LM/W
LED	2835
CCT	3000K/4000K/5000K
CRI	>70
Beam Angle	90°
Additional function	CCT & Wattage Tunable Pluggable Microwave Motion Sensor

Others

IP Rating	IP65
IK Degree	08
Life Time	>50,000Hrs (Ta=30°C@L80)
Operating Temperature	-40°F to 104°F (-40°C to +40°C)
Finish	Black/Bronze/White Customized (Optional)
Warranty	5 Years
Housing	Die-cast Aluminum
Certificates	ETL/DLC 5.1 Premium

SPECIFICATION FEATURES

Wattage & CCT Tunable Controller

3000K		LV1	250W	160W
4000K		LV2	200W	120W
5000K		LV3	160W	100W
		LV4	120W	80W



3 Kinds of Mounting (Loop, Hook, U-Bracket)



Stronger Housing with Good Heat Dissipation

2835LEDs, up to 170LM/W

The PC Lens Light Transmittance Is Over 90%



Sensor

Multiple Pluggable Microwave Motion Sensor Optional (Z10, Zhaga, AUX etc)

Accessories



Controls Microwave Motion Sensor



Diffuse Polycarbonate



Z10 socket is available to add intelligent controls which meet NLC5.0, this will help users save more 50% energy and get more rebates.



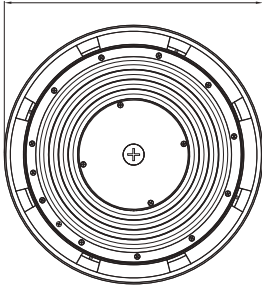
Diffuse Aluminum



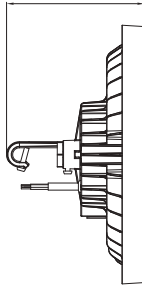
Safety Rope

DIMENSIONS INCH (MM)

10.83 (275.00)

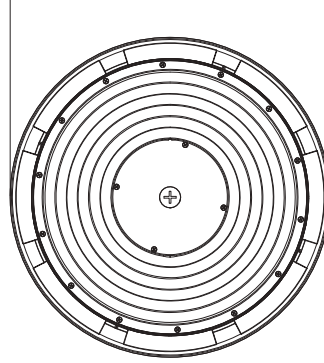


5.78 (146.70)

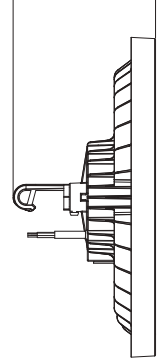


HB61A

13.38 (340.00)

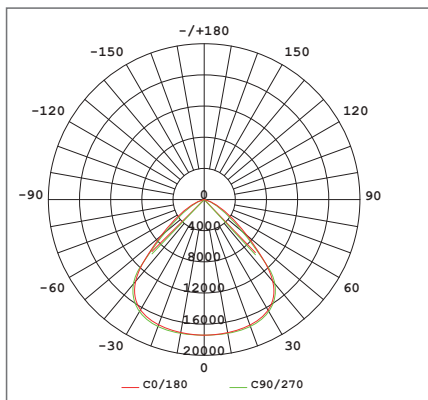


5.96 (151.40)



HB62A

PHOTOMETRIC DIAGRAMS



PARKING INFORMATION

MODEL	MASTER CARTON (MM & INCH)	PCS CTN	NET WEIGHT (KGS & LBS)	GROSS WEIGHT (KGS & LBS)	20GP PCS	40HQ PCS	45HQ PCS
HB61A	320*320*140 12.60*12.60*5.51	1	2.3 / 5.07	2.7 / 5.95	2,408	5,848	7,396
HB62A	370*370*140 14.57*14.57*5.51	1	3.3 / 7.27	3.8 / 8.38	1,573	3,821	4,832