

JOB NAME: _____

Date: _____

TYPE: _____

TS21 Series 8" 10W/15W/22W CCT & Power Selectable Commercial Downlight



PRODUCT BENEFITS

- Color Selectable Switch: 4 color option Select from the warmest of whites to the coolest of whites.
- Select the power and brightness with a touch of a switch.
- IC rated: For direct contact with ceiling insulation.
- BX cable: 3/8" BX Cable for easy 6 foot spacing.
- Non Flicker Driver: Medically proven to eliminate eye strain and headaches.

PRODUCT FEATURES

- Easy & Fast install thanks to innovated design.
- CCT Selectable Options: 3000K/3500K/4000 or 3000K/4000K/5000K.
- Wattage Selectable Options: 10W/15W/22W.
- 5 Years warranty.



JOB NAME: _____

Date: _____

TYPE: _____

PRODUCT DATASHEET

ELECTRICAL SPECIFICATIONS

Voltage:	AC 120-277V
Frequency:	50/60Hz
Wattages:	10W/15W/22W
Power Factor:	≥0.90
Input Current:	100mA/150mA/220mA
THD:	≤20%
Ripple Current:	≤5%
Frequency of LED current:	≥120Hz

LIGHTING SPECIFICATIONS

LUMENS:	1000 lm/1500 lm/2200 lm
Color:	3000K-3500K-4000K
Efficiency:	100 LPW
Ra:	≥90
R9:	≥0
SDCM:	≤6
Duv:	≤0.006
Beam Angle:	90°
Dimmable:	0-10V

OPERATION AND INFORMATION

Housing:	Metal
Optical-Lens:	PC
Operating Temp:	-4°F ~ + 113°F
Storage Temp:	-22°F ~ + 149°F
Usage Environment:	Wet Location
Environment:	Indoor

SHIPPING

Product Net weight:	1.51lbs
Master Carton Size:	21.61" x 11.10" x14.01"
Quantity/Carton:	4pcs
Gross Weight:	10.33lbs
Pcs / Pallet:	120pcs
Pcs / 20' GP:	2328pcs (No Pallet) / 1200pcs (Palletized)
Pcs / 40' HQ:	5652pcs (No Pallet) / 2400pcs (Palletized)

CERTIFICATES

Standard:	UL,ES,CE,RoHS
Warranty:	5 years



JOB NAME: _____

Date: _____

TYPE: _____

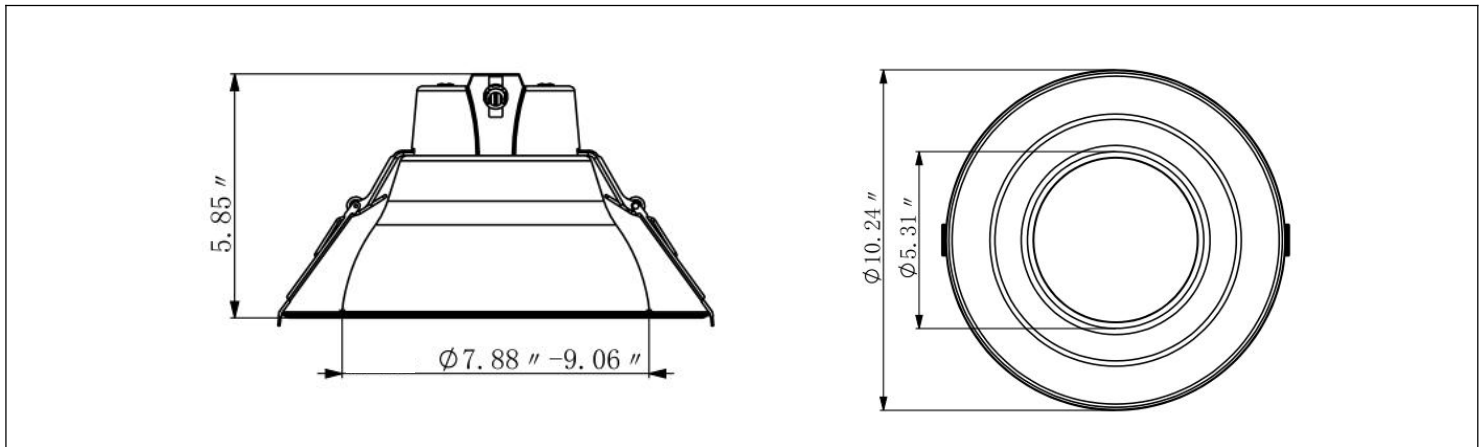
SPECIFICATIONS / ORDER INFO

SKU	Catalog Number	SIZE
LU10145-Z	TS21-22W-8NV-ZZK-D	8"

LAMP CODE DEFINITIONS

Category	Wattage	Size	Voltage	CCT	Dimmable
ST10=Series Number	10W/15W/22W	8=8"	NV=120-277V	ZZ=3 in 1 Color	D=0-10V

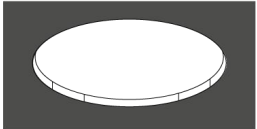
SIZE CHART



INSTALLATION DIAGRAM

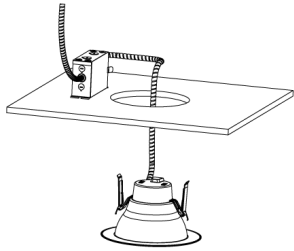
1

Use template inside box to cut hole in ceiling.



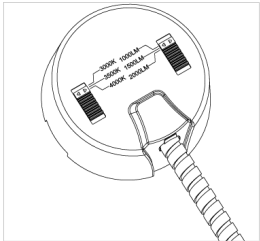
3

Connect the downlight conduit cable to a junction box.



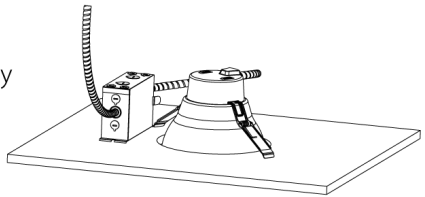
2

Select desired lumen output and CCT.



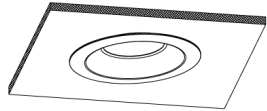
4

Install the downlight by lifting both retention tabs upward.



5

Push until the trim sits flush against the ceiling.





ENERGY STAR CERTIFIED Light Fixtures

ALT - LED Recessed Downlight : TS21-22W-8NV-ZZK-D

Specifications

ENERGY STAR Unique ID:	2356294
ENERGY STAR Partner:	ALT
Brand Name:	ALT
Model Name:	LED Recessed Downlight
Model Number:	TS21-22W-8NV-ZZK-D
Indoor/Outdoor:	Indoor
Fixture Type:	Downlight Recessed
Technology:	LED
Total Light Output (lumens):	2000
Appearance/Correlated Color Temperature (K):	4000/4100K,3000K,3500K
Total Input Power (Watts):	22.0
Color Quality (CRI):	94
Energy Efficiency - Measured Outside the Fixture (lumens/Watt):	90.9
Power Factor:	0.97
Light Source Life (hrs):	50000
Can Size(s):	7
Can Rating(s):	Type IC Airtight
Special Features:	Continuously Dimmable,Color Tunable,Wet Location Rated
Light Source Connection/Base Type:	N/A
Date Available On Market:	2020-01-03
Date Certified:	2020-02-27
Markets:	United States, Canada
ENERGY STAR Certified:	Yes

Additional Model Information

UPC Codes	
------------------	--

Captured On:
12/21/2021