

JOB NAME: _____

Date: _____

TYPE: _____

K14 Series 4" 8W 3in1 CCT Tunable Baffle Retrofit Trim



PRODUCT BENEFITS

- Three light color in one luminaire:30K-40K-50K.
- Instant on.
- Easy fast install thanks to innovated design.
- 5 years warranty.

PRODUCT FEATURES

- Three CCT light colors selectable via slide switch.
- Dim: Triac dimmable.
- Type of protection: Damp location.
- Connector box with push wire terminal for tool-free connection.
- Low profile luminaire can be installed.



JOB NAME: _____

Date: _____

TYPE: _____

PRODUCT DATASHEET

ELECTRICAL SPECIFICATIONS

Voltage:	AC 120V
Frequency:	60Hz
Wattages:	8W
Power Factor:	≥0.90
Input Current:	80mA
THD:	≤20%
Ripple Current:	≤5%
Frequency of LED current:	≥120Hz

LIGHTING SPECIFICATIONS

LUMENS:	720 lm
Color:	3000K-4000K-5000K
Efficiency:	90 LPW
Ra:	≥92
R9:	≥0
SDCM:	≤6
Duv:	≤0.006
Beam Angle:	100°
Dimmable:	Triac dimmable

OPERATION AND INFORMATION

Housing:	Aluminum
Optical-Lens:	PC
Operating Temp:	-4°F ~ + 113°F
Storage Temp:	-22°F ~ + 149°F
Usage Environment:	Damp Location
Environment:	Indoor

SHIPPING

Product Net weight:	0.32lbs
Master Carton Size:	22.24" x 17.72" x17.32"
Quantity/Carton:	60pcs
Gross Weight:	28.66lbs
Pcs / Pallet:	1200pcs
Pcs / 20' GP:	15600pcs (No Pallet) / 12000pcs (Palletized)
Pcs / 40' HQ:	37440pcs (No Pallet) / 24000pcs (Palletized)

CERTIFICATES

Standard:	ETL,ES,CE,RoHS
Warranty:	5 years



JOB NAME: _____

Date: _____

TYPE: _____

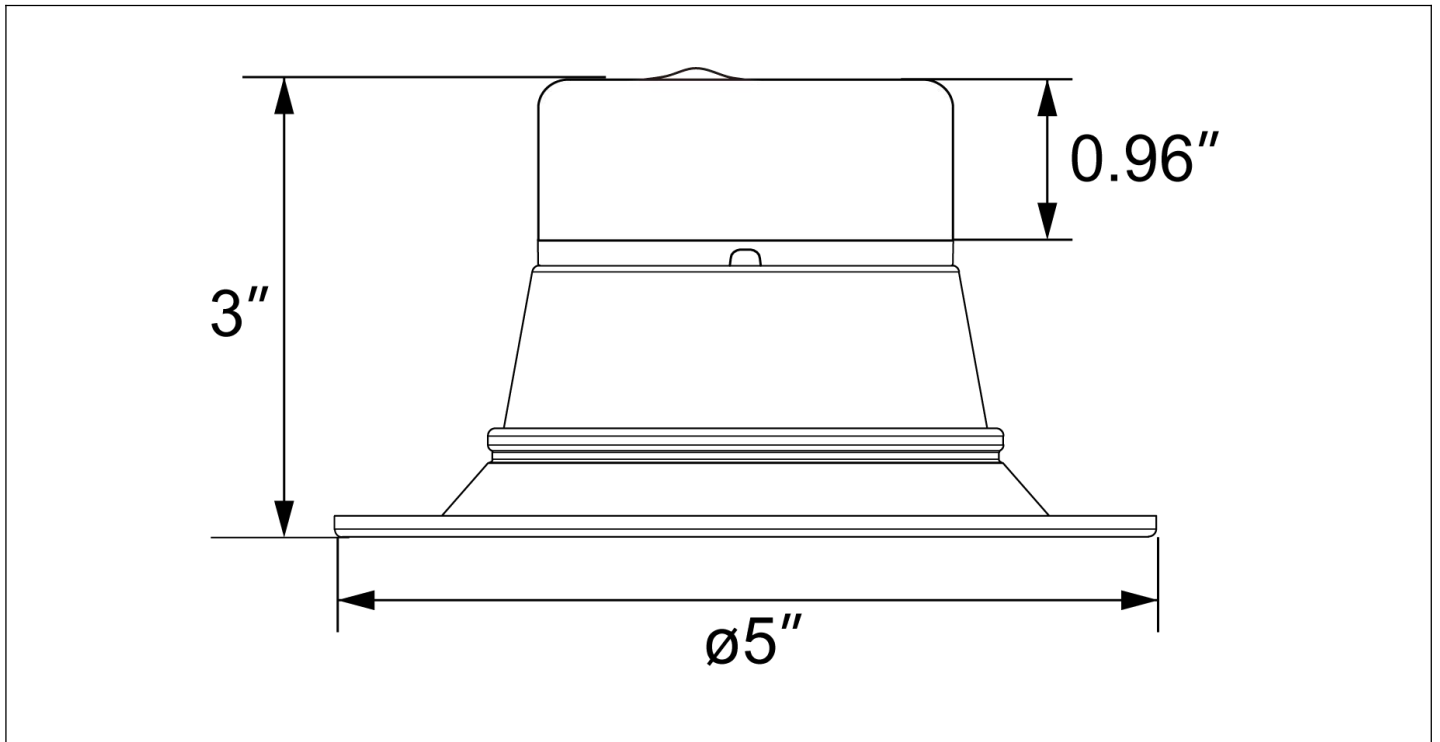
SPECIFICATIONS / ORDER INFO

SKU	Catalog Number	SIZE
LU10064-Z	K14-8W-4CT-ZZK-LR-WH	4"

LAMP CODE DEFINITIONS

Category	Wattage	Size	Voltage	CCT	Shape	Color
K14=Series Number	8W	4=4"	CT=120V	ZZK=3 in 1 color	LR=Round	WH=White

SIZE CHART





ENERGY STAR CERTIFIED Light Fixtures

ALT - SSL downlight retrofit : K14-8W-4CT-ZZK-LR-**

Specifications

ENERGY STAR Unique ID:	2352063
ENERGY STAR Partner:	ALT
Brand Name:	ALT
Model Name:	SSL downlight retrofit
Model Number:	K14-8W-4CT-ZZK-LR-**
Indoor/Outdoor:	Indoor
Fixture Type:	Downlight Solid State Retrofit
Technology:	LED
Total Light Output (lumens):	560
Appearance/Correlated Color Temperature (K):	2700K
Total Input Power (Watts):	8.0
Color Quality (CRI):	92
Energy Efficiency - Measured Outside the Fixture (lumens/Watt):	70.0
Power Factor:	0.9
Light Source Life (hrs):	50000
Special Features:	Continuously Dimmable,Damp Location Rated
Light Source Connection/Base Type:	N/A
Date Available On Market:	2019-11-13
Date Certified:	2019-12-23
Markets:	United States, Canada
ENERGY STAR Certified:	Yes

Additional Model Information

,"**" represents enclosure color, it can be WH=W hite, BK=Black, BR=Bronze, BN=Brushed Nickel.

UPC Codes

Captured On:
12/21/2021