

JOB NAME: \_\_\_\_\_

Date: \_\_\_\_\_

TYPE: \_\_\_\_\_

## K13 Series 4" 10W Standard Baffle Square Retrofit Trim



### PRODUCT BENEFITS

- Compatible with most dimmers down to 10%.
- Instant on.
- Easy & Fast install thanks to innovated design.
- Separation between driver and trim.
- 5 years warranty.

### PRODUCT FEATURES

- CCT Options: Available in 3000K and 5000K ,2700K,3500K,4000K are available by request.
- Dim: Triac dimmable.
- Type of protection: Damp location.
- Low profile luminaire can be installed.



JOB NAME: \_\_\_\_\_

Date: \_\_\_\_\_

TYPE: \_\_\_\_\_

## PRODUCT DATASHEET

### ELECTRICAL SPECIFICATIONS

<b>Voltage:</b>	AC 120V
<b>Frequency:</b>	60Hz
<b>Wattages:</b>	10W
<b>Power Factor:</b>	≥0.90
<b>Input Current:</b>	100mA
<b>THD:</b>	≤20%
<b>Ripple Current:</b>	≤5%
<b>Frequency of LED current:</b>	≥120Hz

### LIGHTING SPECIFICATIONS

<b>LUMENS:</b>	800 lm
<b>Color:</b>	2700K,3000K,3500K,4000K,5000K
<b>Efficiency:</b>	80 LPW
<b>Ra:</b>	≥92
<b>R9:</b>	≥0
<b>SDCM:</b>	≤6
<b>Duv:</b>	≤0.006
<b>Beam Angle:</b>	100°
<b>Dimmable:</b>	Triac dimmable

### OPERATION AND INFORMATION

<b>Housing:</b>	Aluminum
<b>Optical-Lens:</b>	PC
<b>Operating Temp:</b>	-4°F ~ + 113°F
<b>Storage Temp:</b>	-22°F ~ + 149°F
<b>Usage Environment:</b>	Damp Location
<b>Environment:</b>	Indoor

### SHIPPING

<b>Product Net weight:</b>	0.50lbs
<b>Master Carton Size:</b>	21.73" x 15.35" x16.93"
<b>Quantity/Carton:</b>	60pcs
<b>Gross Weight:</b>	38.59lbs
<b>Pcs / Pallet:</b>	1200pcs
<b>Pcs / 20' GP:</b>	18000pcs (No Pallet) / 12000pcs (Palletized)
<b>Pcs / 40' HQ:</b>	43200pcs (No Pallet) / 24000pcs (Palletized)

### CERTIFICATES

<b>Standard:</b>	ETL,ES,CE,RoHS
<b>Warranty:</b>	5 years



JOB NAME: \_\_\_\_\_

Date: \_\_\_\_\_

TYPE: \_\_\_\_\_

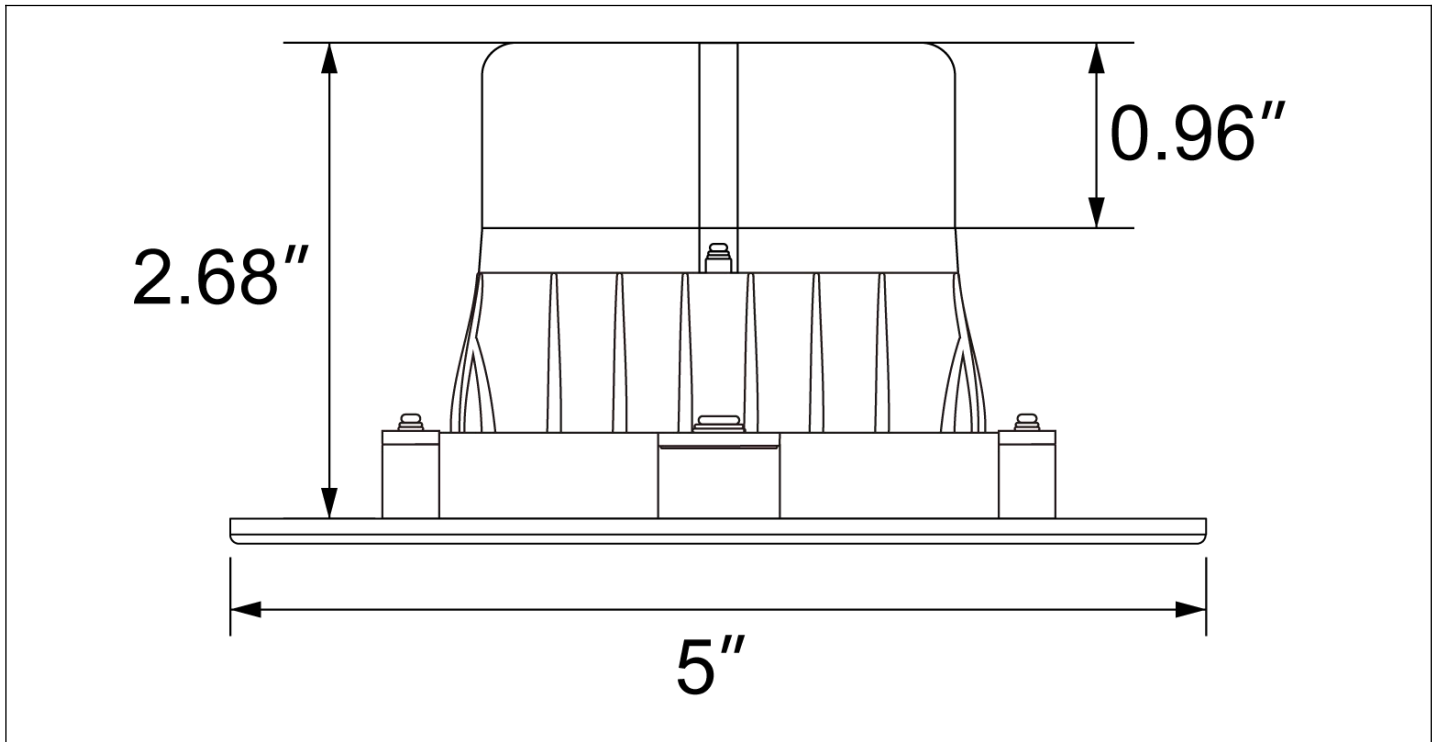
### SPECIFICATIONS / ORDER INFO

SKU	Catalog Number	SIZE
LU10057-X	K13-10W-4CV-XXK-LS-WH	4"

### LAMP CODE DEFINITIONS

Category	Wattage	Size	Voltage	CCT	Shape	Color
K13=Series Number	10W	4=4"	CV=120V	XXK=27K,30K,35K,40K, 50K	LS=Square	WH=White

### SIZE CHART





ENERGY STAR CERTIFIED  
**Light Fixtures**

## ALT - SSL downlight retrofit : K13-10W-4CV-##K-LS-\*\*

### Specifications

<b>ENERGY STAR Unique ID:</b>	2352061
<b>ENERGY STAR Partner:</b>	ALT
<b>Brand Name:</b>	ALT
<b>Model Name:</b>	SSL downlight retrofit
<b>Model Number:</b>	K13-10W-4CV-##K-LS-**
<b>Indoor/Outdoor:</b>	Indoor
<b>Fixture Type:</b>	Downlight Solid State Retrofit
<b>Technology:</b>	LED
<b>Total Light Output (lumens):</b>	600
<b>Appearance/Correlated Color Temperature (K):</b>	2700K
<b>Total Input Power (Watts):</b>	10.0
<b>Color Quality (CRI):</b>	92
<b>Energy Efficiency - Measured Outside the Fixture (lumens/Watt):</b>	60.0
<b>Power Factor:</b>	0.93
<b>Light Source Life (hrs):</b>	50000
<b>Special Features:</b>	Continuously Dimmable,Damp Location Rated
<b>Light Source Connection/Base Type:</b>	N/A
<b>Date Available On Market:</b>	2019-11-13
<b>Date Certified:</b>	2019-12-23
<b>Markets:</b>	United States, Canada
<b>ENERGY STAR Certified:</b>	Yes

## Additional Model Information

，“##” represents CCT, it can be 27=2700K,30=3000K, 35=3500K, 40=4000K, 50=5000K “\*\*” represents enclosure color, it can be W=White, BK=Black, BR=Bronze, BN=Brushed Nickel.

**UPC Codes**

**Captured On:**  
12/21/2021