



Project Name: \_\_\_\_\_

Schedule / Date: \_\_\_\_\_

Notes: \_\_\_\_\_

ETL No.: Intertek **5014001**

DLC Family Code: **YYF0H**

Improved **Thermal Management**

**Flicker Free and Anti-Glare**

True **100% OFF 0-10V** Dimming

**AUX PIR / DC PnP Microwave Occupancy**  
Controls with **Daylight Sensing**, **Customizable**  
Standby and **Bi-Level** Functionality

ETL Certified for Safety

**DLC 5.1 Premium** Rated for Efficiency

CRI: **83** (Upgraded Color Rendering Index)

Warranty: **5 Year**



## ORDERING GUIDE

SERIES	CATEGORY	SIZE	WATTAGE	CCT	SENSOR	VOLTAGE
JL	BPL   Back-lit Panel	14   1x4' 22   2x2'	ZZ   Tunable	CCT   Tunable	Blank   None S   Sensor	VL   120-277V VH   120-347V
			15   15w	35   3500k		
			20   20w	40   4000k		
			25   25w	50   5000k		
			30   30w	57   5700k		
40   40w	65   6500k					

EXAMPLE: **JL-BPL22-ZZW-CCT-VL**

JL	BPL   Back-lit Panel	24   2x4'	ZZ   Tunable	CCT   Tunable	Blank   None S   Sensor	VL   120-277V VH   120-347V
			30   30w	35   3500k		
			40   40w	40   4000k		
			50   50w	50   5000k		
			60   60w	57   5700k		
			72   50w	65   6500k		

EXAMPLE: **JL-BPL24-ZZW-CCT-VL**



Project Name: \_\_\_\_\_

Schedule / Date: \_\_\_\_\_

Notes: \_\_\_\_\_

## SPECIFICATIONS

SKU	53-2063-XX			53-2066-XX			53-2065-XX				
<b>MODEL NO.</b>	JL-BPL22-ZZW-CCT-[VL,VH]			JL-BPL14-ZZW-CCT-[VL,VH]			JL-BPL24-ZZW-CCT-[VL,VH]				
<b>Brand</b>	Kinlight			Kinlight			Kinlight				
<b>Size</b>	2' x 2'			1' x 4'			2' x 4'				
<b>Wattage</b>	15w	20w	25w	30w	40w	30w	40w	50w	60w	72w	
<b>Efficacy</b>	132.28 LPW						135.52 LPW				
<b>Luminous Flux</b>	2098	2800	3480	4160	5291	4230	5603	6904	7910	9757	
<b>Input @120V</b>	131mA	175mA	219mA	263mA	350mA	263mA	350mA	438mA	526mA	631mA	
<b>12Vdc Output</b>	Max Current 200mA						Max Current 200mA				
<b>Color Temp.</b>	3500K   4000K   5000K   5700K   6500K						3500K   4000K   5000K   5700K   6500K				
<b>Input Voltage</b>	AC120-277V, 50/60Hz						AC120-277V, 50/60Hz				
<b>Dimmable</b>	0-10V (True Off)						0-10V (True Off)				
<b>CRI</b>	83						83				
<b>Beam Angle (°)</b>	110°						110°				
<b>THD</b>	≤20%						≤20%				
<b>Flicker</b>	No Flicker						No Flicker				
<b>Power Factor</b>	≥0.9						≥0.9				
<b>IP Rate</b>	IP20 - Indoor						IP20 - Indoor				
<b>Working Temp.</b>	-20°C ~ +55°C / -4°F ~ +131°F						-20°C ~ +55°C / -4°F ~ +131°F				
<b>Storage Temp.</b>	-40°C ~ +60°C / -40°F ~ +140°F						-40°C ~ +60°C / -40°F ~ +140°F				
<b>Lifespan</b>	50,000h						50,000h				
<b>Pcs/Carton</b>	4						4				
<b>Package Dims</b>	24.80" x 24.80" x 5.71"			48.82" x 13.78" x 5.91"			48.82" x 24.80" x 5.71"				
<b>Weight</b>	17.88lbs			20.26lbs			33.69lbs				

## DLC Number

Size Wattage	2 x 2'	1 x 4'	2 x 4'
15	S-1ND3ST	S-HZSQBW	/
20	S-UXMDVE	S-CFK25J	/
25	S-QV5WEF	S-BKHT6M	/
30	S-OKSPQG	S-JM6RF3	S-H4LPQ8
40	S-N5B8JO	S-SCMXWU	S-JSOTUG
50	/	/	S-YXAT3K
60	/	/	S-EYZ14
72	/	/	S-F2DRJ4



Project Name: \_\_\_\_\_

Schedule / Date: \_\_\_\_\_

Notes: \_\_\_\_\_

\_\_\_\_\_

## PRODUCT AND CARTON DIMENSIONS

SIZE   SKU	DIAGRAM	DIMENSIONS
<b>2x4</b>   53-2061-XX		<p><b>PRODUCT</b> 47.76" x 23.74 x 1.38" 7.17 LBS   1 Pcs</p> <p><b>CARTON</b> 48.82" x 24.80" x 5.71" 33.69 LBS   4 Pcs</p>
<b>2x2</b>   53-2060-XX		<p><b>PRODUCT</b> 23.74" x 23.74 x 1.38" 3.75 LBS   1 Pcs</p> <p><b>CARTON</b> 24.80" x 24.80" x 5.71" 17.88 LBS   4 Pcs</p>
<b>1x4</b>   53-2062-XX		<p><b>PRODUCT</b> 47.76" x 11.93 x 1.38" 4.17 LBS   1 Pcs</p> <p><b>CARTON</b> 48.82" x 13.78" x 5.91" 20.26 LBS   4 Pcs</p>

## PALLET & CONTAINER LOADING

SIZE   SKU	WEIGHT	LENGTH	WIDTH	HEIGHT	40' HQ LOADING QTY.
2x2   53-2063	643.68 LBS	50.79"	37.80"	81.10"	4560pcs
2x4   53-2065	606.42 LBS	49.61"	37.80"	81.10"	2280pcs
1x4   53-2066	648.32 LBS	49.61"	37.80"	78.60"	3940pcs

2' x 2'

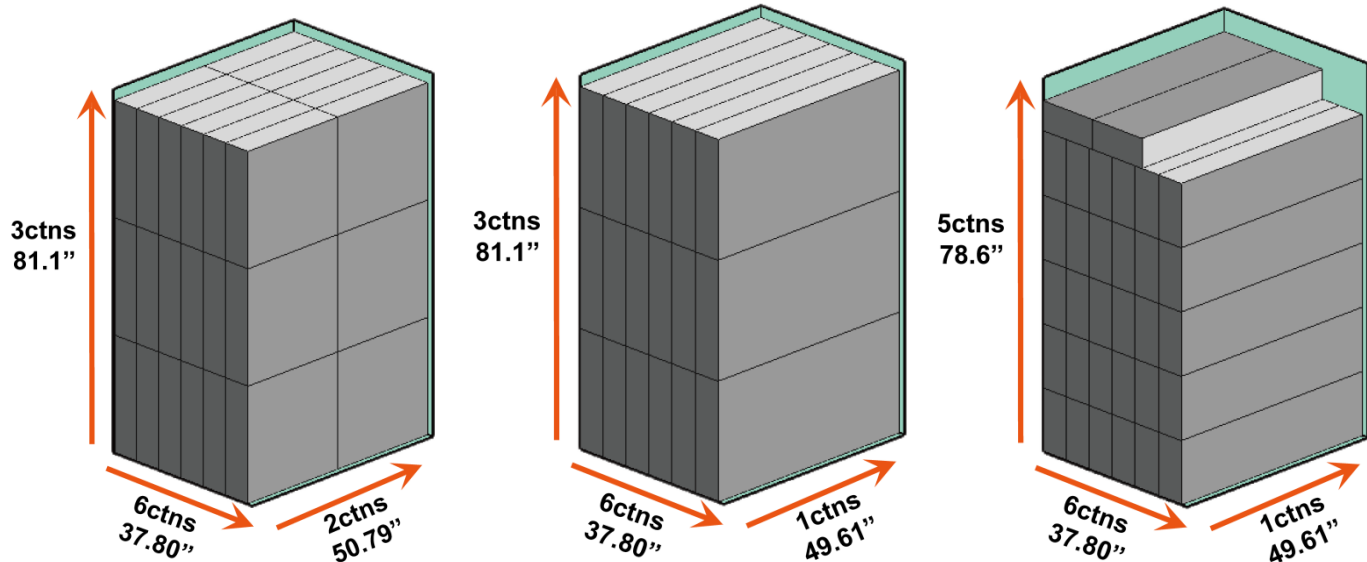
36ctns/144pcs

2' x 4'

18ctns/72pcs

1' x 4'

32ctns/128pcs



The above simulation diagram does not calculate the height and weight of the pallet, and the size and weight information will be slightly different from the actual situation.


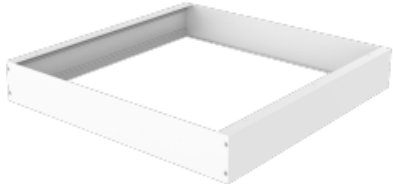


Project Name: \_\_\_\_\_

Schedule / Date: \_\_\_\_\_

Notes: \_\_\_\_\_

\_\_\_\_\_

## ACCESSORIES

SKU	DESCRIPTION	ITEM
53-2089A	Hanging Cable Kit	
53-2091A	2x4' Surface Mount Kit	
53-2090A	2x2' Surface Mount Kit	
53-2092A	1x4' Surface Mount Kit	
53-2093A	Junction Box	
53-2094F	2x4' Flange kIT	
53-2093F	2x2' Flange kIT	
53-2095F	1x4' Flange kIT	

# INSTALLATION INSTRUCTIONS

## Safety Instruction:

Basic safety precautions should always be followed when installing, including the following:

1. Read instructions carefully before installing.
2. This LED Panel requires professional installation and maintenance.
3. The power supply of the LED Panel should be powered by a dedicated external LED driver.
4. Disconnect the power supply before installing or maintenance.
5. Make sure the wires have been properly connected before powering on the device.
6. Ensure the product has enough space for heat dissipation.
7. Ensure the luminaries are never covered by any heat insulation mat or slim layer material at anytime.
8. Suitable for damp locations.
9. Ambient Temperature: -20°C to + 45°C, Avoid direct sunlight.
10. Storage Conditions: Cool & dry conditions.

## Installation Procedure

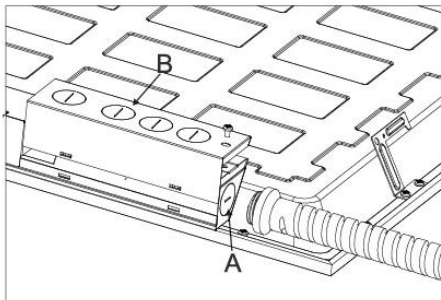
### WARNING:

1. Switch off before installation.
2. Switch on only after complete installation and examination of the circuit.

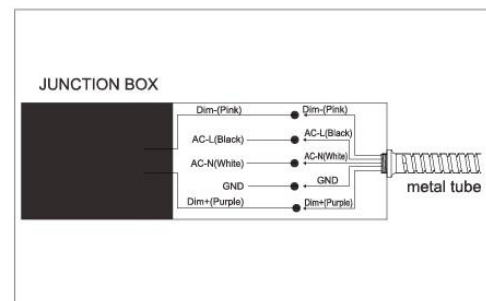


### CAUTION:

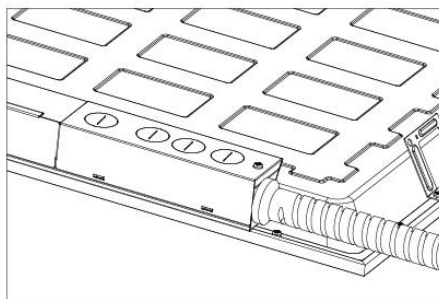
Make sure that the mounting surface or structural member used for installation can support the weight of LED Panel.



- (1) Remove the knock-down hole on box by screwdriver (Part A), Remove screw and take out the driver cover (Part B)

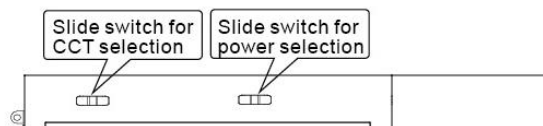


- (2) Connect the wire as the picture showing.

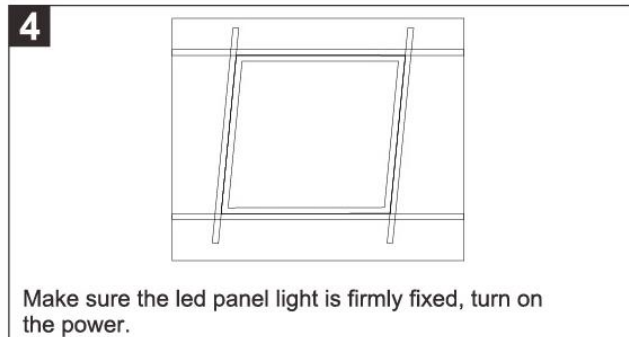
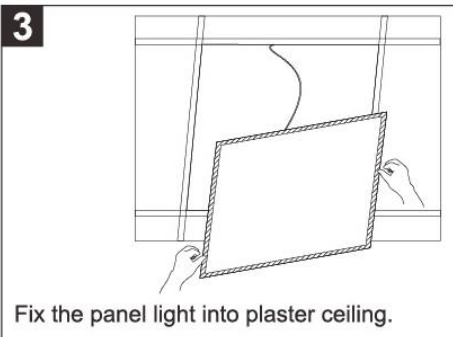
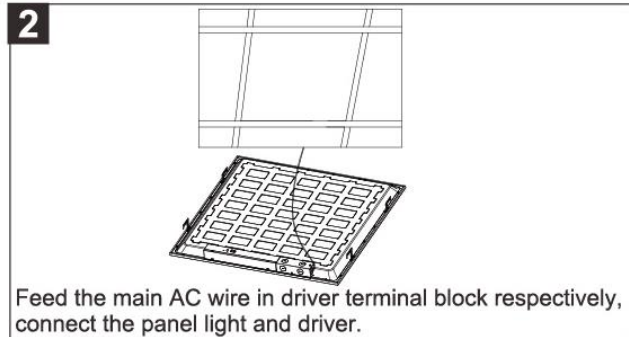
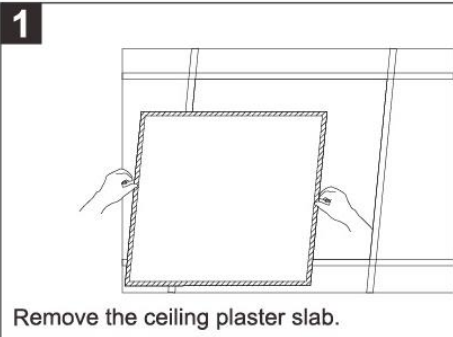


- (3) Cover the driver box and tighten it with a screwdriver, finish connection.

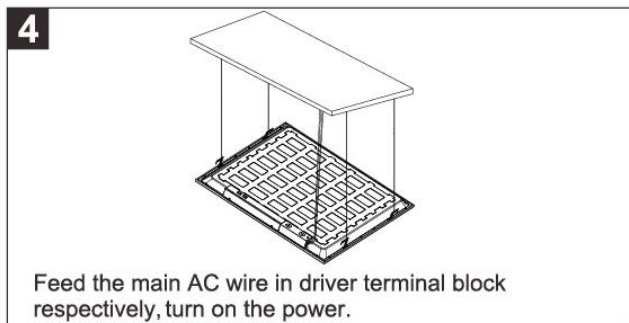
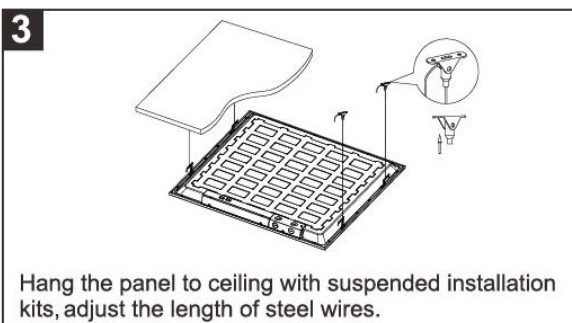
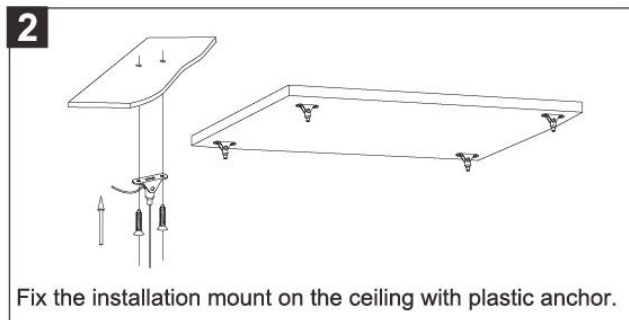
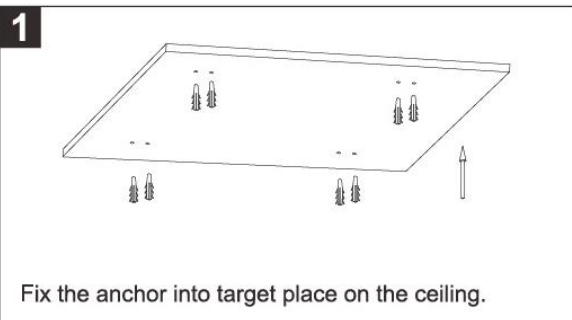
For the product with Slide Switch of CCT or power selection, please select the CCT or power needed before installation. (Ignore these steps if without the function)



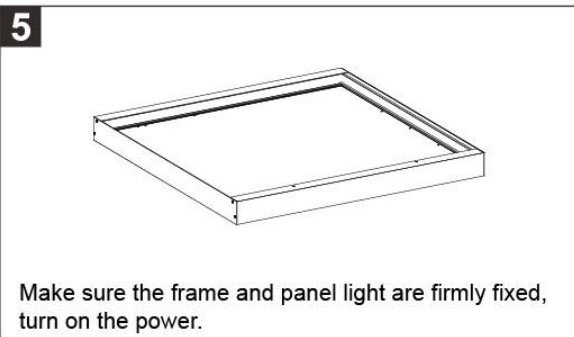
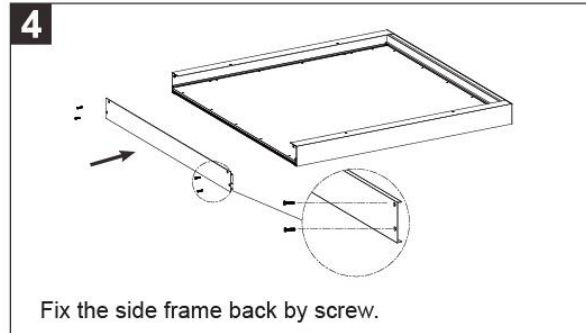
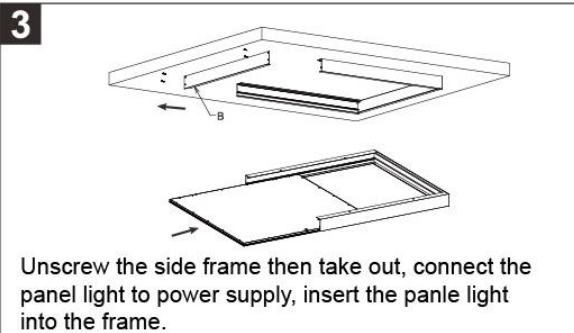
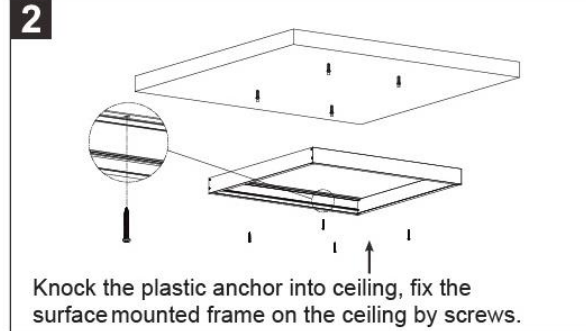
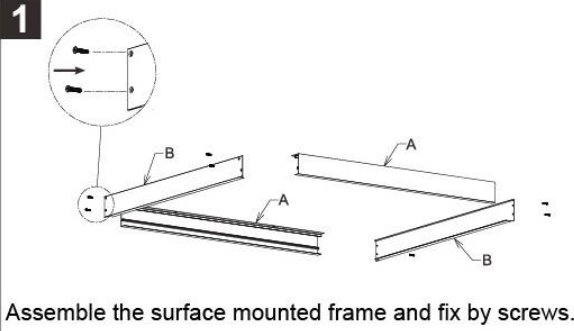
## Recessed:



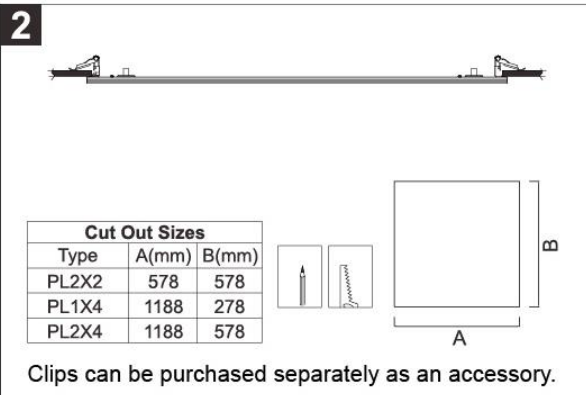
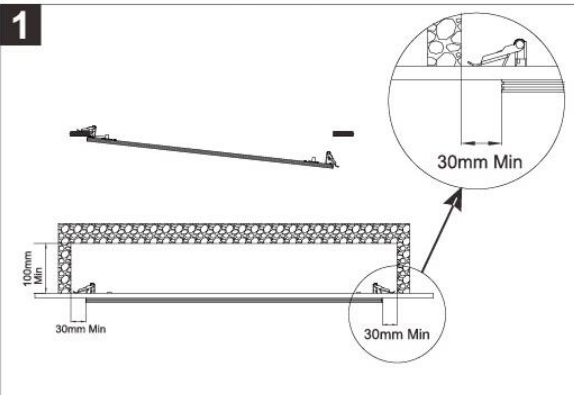
## Suspended



## Surface mounted



## Recessed Mounting(Clips)



### Warning:

Input wire diameter  $\geq 0.75\text{mm}^2$ ;  
Product modification and improper installation are not valid for warranty!