

LED INFINITY T8 TUBES

Plastic / Aluminum Material

BUILDERS PACK

EASY INSTALLATION

Single- or Double-Ended Wiring | High Efficacy

DESCRIPTION

Plastic / Aluminum | Type A+B

Wattage	12w
CCT	3500K-4000K-5000K-5700K-6500K
CRI	82
Beam angle	146°
Warranty	5 years



PRODUCT FEATURES

- Compatible with most instant- and programmed-start electronic T8 ballasts
- Bypass ballast runs on 120-277V line voltage
- Single- or double-ended wiring
- 50,000+ hour lifetime
- Suitable for dry and damp indoor locations
- Operating temperature -4°F to +113°F
- ETL Listed
- DLC 5.1



LAMP CODE DEFINITIONS

JL-ALT8-4FTAB-12W-XXK

① ② ③ ④ ⑤ ⑥

- ① JL = Factory Code
- ② ALT8 = Plastic / Aluminum T8 tubes
- ③ 4FT = Fixture Length 4ft
- ④ AB = TYPE A + B
- ⑤ 12W = Wattage 12w
- ⑥ XXK = Color Temperature

LED INFINITY T8 TUBES

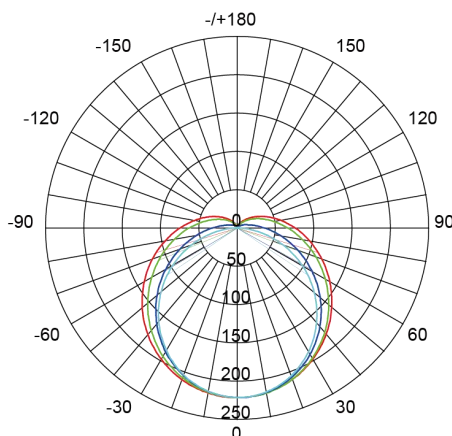
Plastic / Aluminum Material

BUILDERS PACK

EASY INSTALLATION

Single- or Double-Ended Wiring | High Efficacy**SPECIFICATIONS**

SKU	53-1805	53-1806	53-1807	53-1808	53-1809
Color Temperature	3500K	4000K	5000K	5700K	6500K
Model No.	JL-ALT8-4FTAB-12W-XXK				
Wattage	12W				
Efficacy	151.3LPW				
Luminous Flux	1800lm±5%				
Input Current	110mA				
Input Voltage	AC120-277V, 50/60Hz				
THD	≤20%				
Flicker	Flicker				
Power Factor	≥0.95				
Wire Connection	Single- or Double-Ended Wiring				
Cover	Frosted / Clear				
IP Rate	IP20				
Working Temperature	-20°C ~ +55°C / -4°F ~ +131°F				
Storage Temperature	-40°C ~ +60°C / -40°F ~ +140°F				
Lifespan	50000h				

DISTRIBUTION CURVE**DISTANCE CURVE**

1m	132.8,442.7lx	298.67cm
2m	33.19,110.7lx	597.33cm
3m	14.75,49.18lx	896.00cm
4m	8.298,27.67lx	1194.66cm
5m	5.310,17.71lx	1493.33cm
6m	3.688,12.30lx	1791.99cm
7m	2.709,9.034lx	2090.66cm
8m	2.074,6.916lx	2389.33cm
9m	1.639,5.465lx	2687.99cm
10m	1.328,4.427lx	2986.66cm

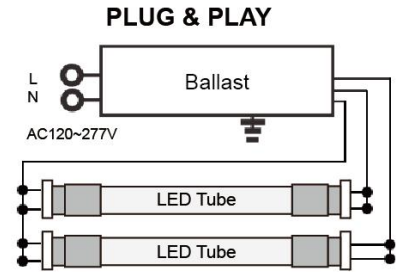
Single- or Double-Ended Wiring | High Efficacy

INSTALLATION INSTRUCTIONS

DIRCT REPLACEMENT (WITH EXISTING BALLAST)

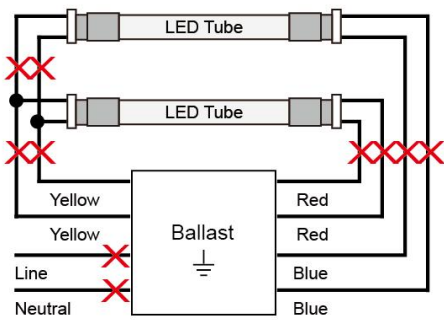
* Warning: Check Ballast Compatibility List before installation

1. Turn power off.
2. Remove lens or diffuser, if applicable.
3. Remove existing fluorescent lamp(s) from the luminaire.
4. Install the LED replacement lamp(s), one lamp for each fluorescent lamp removed*.
5. Replace lens or diffuser back in place, if applicable.
6. Turn power back on.

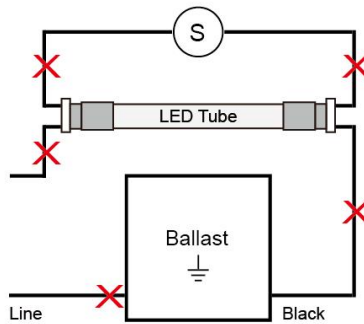


BY-PASS REPLACEMENT (WITHOUT BALLAST)

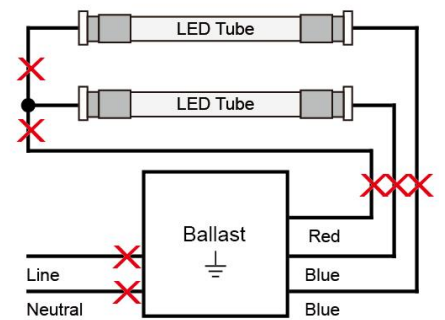
1. Disconnect power from fixture.
2. Remove fluorescent lamps.
3. Remove lens and wiring compartment, if applicable.
4. Cut all wires connected to ballast (see Figure A: Typical Ballast Configurations).



PROGRAM START

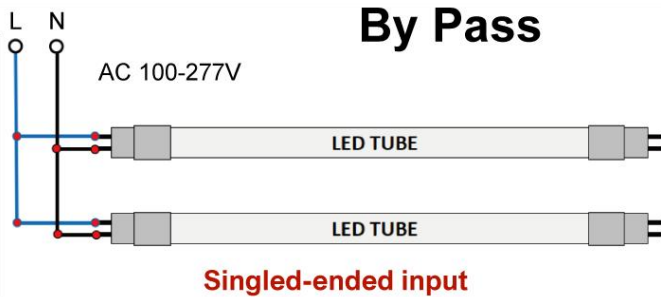


PREHEAT WITH STARTER

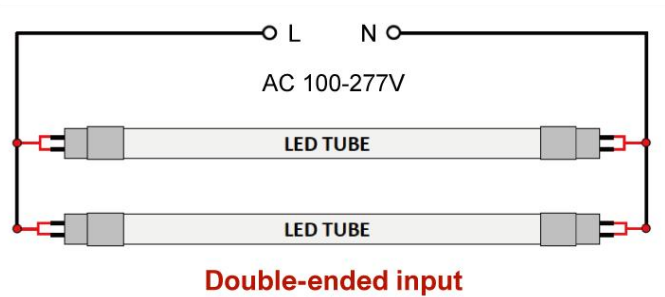


INSTANT START

CAUTION: Instant start ballasts have shunted lamp holders.



Singed-ended input



Double-ended input

LED INFINITY T8 TUBES

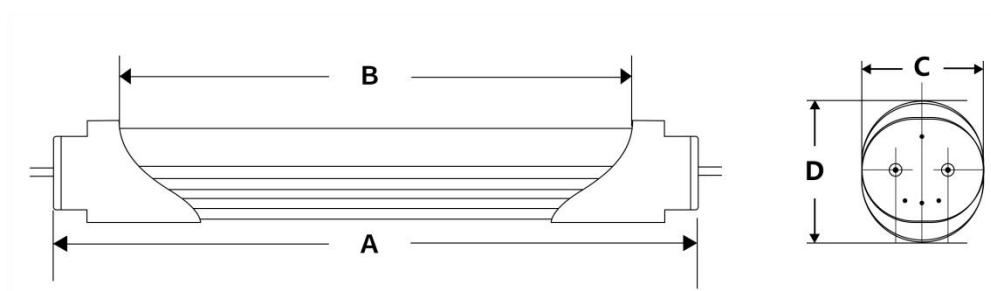
Plastic / Aluminum Material

BUILDERS PACK

EASY INSTALLATION

Single- or Double-Ended Wiring | High Efficacy

PHYSICAL CHARACTERISTICS



Lamp Dimensions

A (Body Length)	47.17"
B (Illuminated Length)	45.47"
C (Width)	1.32"
D (Height)	1.15"

PACKAGE

Product Size	Pcs / Carton	Net Weight	Gross Weight
4ft	25 pcs	0.22kg / 0.49lbs	7.22kg / 15.92lbs

CARTON SIZE

Length	Width	Height
48.42	7.28	7.08



LED INFINITY T8 TUBES

Plastic / Aluminum Material



BUILDERS PACK

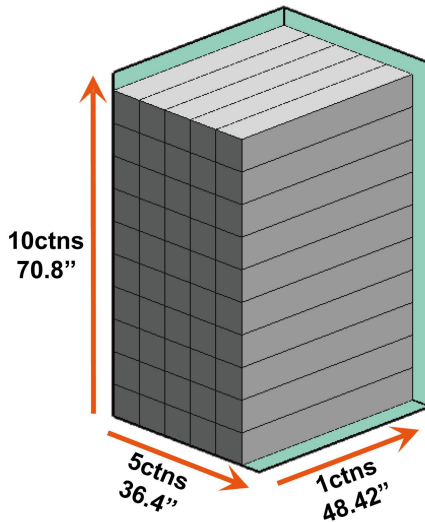
EASY INSTALLATION

Single- or Double-Ended Wiring | High Efficacy

PALLET

Length	48.42''
Width	40''
Height	All Pallet height lower than 85'

50ctns/1250pcs



G.W: 796lbs

Above simulation diagram does not calculate the height and weight of the pallet, and the size and weight information will be slightly different from the actual situation.

CONTAINER 40' HQ

Loading quantity:

No pallet	40250pcs
Palletized	29250pcs