

LED CANOPY LIGHT



CP02A
40/50/60/75W

SUPERTEK
SMARTLED



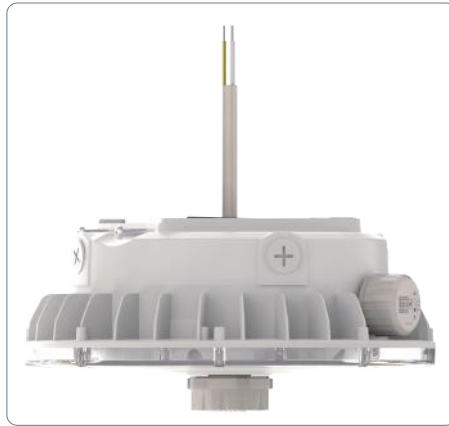
DIMMABLE
0-10V DIMMING

WATTAGE
TUNABLE

MULTI LUMEN
SELECTOR

QUICK FACTS

1. ETL, DLC5.1 Premium listed
2. 120-277Vac/120-347Vac optional
3. High efficacy up to 135LM/W
4. CCT and wattage tunable available
5. Microwave motion, photocell sensor / Emergency battery backup optional
6. Unique design, strong extruded lamp body
7. Lifespan: >50,000Hrs
8. 5 years warranty



SPECIFICATIONS

MODEL	WATT	VOLTAGE	5000K EFFICACY	5000K LUMENS	REPLACE HID	AVAILABLE CCT
CP02A-40-50K-LV-D-V40	40W	120-277V	135LPW	5,400Lm	100-150W	3000K/4000K/5000K
CP02A-40MW-50KMC-MV-D-V40	45W/35W 30W/25W Tunable	120-347V	135LPW	6,075Lm / 4,725Lm 4,050Lm / 3,375Lm	100-150W	3000K/4000K 5000K Tunable
CP02A-75-50K-LV-D-V40	75W	120-277V	135LPW	10,125Lm	250-320W	3000K/4000K/5000K
CP02A-75MW-50KMC-LV-D-V40	75W/60W 50W/40W Tunale	120-277V	135LPW	10,125Lm / 8,100Lm 6,750Lm / 5,400Lm	100-320W	3000K/4000K 5000K Tunable
CP02A-75MW-50KMC-MV-D-V40	75W/65W 55W/45W Tunale	120-347V	135LPW	10,125Lm / 8,775Lm 7,425Lm / 6,075Lm	100-320W	3000K/4000K 5000K Tunable

Electrical Data

Input Voltage	120-277Vac/120-347Vac
Power Factor	0.92
Power Frequency	50/60Hz
Power Efficiency	>93%
Total Harmonic Distortion	<15%
Dimming	0-10V
Driver	Kerham
Surge Protection	L-N: 4KV, L/N-PE: 6KV

Optical Data

Efficiency	135 LM/W
LED	3030
CCT	2700-6500K
CRI	>70
Beam Angle	135°
Additional function	CCT & Wattage Tunable; 8W EMBB; Pluggable Microwave Motion Sensor

Others

IP Rating	IP65
Life Time	>50,000Hrs (Ta=30°C@L80)
Warranty	5 Years
IK Degree	08
Housing	Die-cast Aluminum
Operating Temperature	-40°F to 104°F (-40°C to +40°C)
Certificates	ETL/DLC 5.1 Premium
Finish	Black/Bronze/White Customized (Optional)

SPECIFICATION FEATURES

Housing
High Quality Die-casting Aluminum Shell
Strong and Durable.

Sensor
Multiple Pluggable Microwave Motion
Sensor Optional (Zhaga, AUX etc)

Lens
Clear and Milky lens optional

Power Cord

8W Emergency Battery Back Up

Mounting Plate
Suitable for J-BOX mounting, and easy for installation, also support pendant mounting, wires coming out from the back for easier wire connections.

Wattage & CCT Tunable Controller

POWER SET

75W	60W	50W	40W
ON	ON	ON	ON
1 2	1 2	1 2	1 2

FIELD CCT

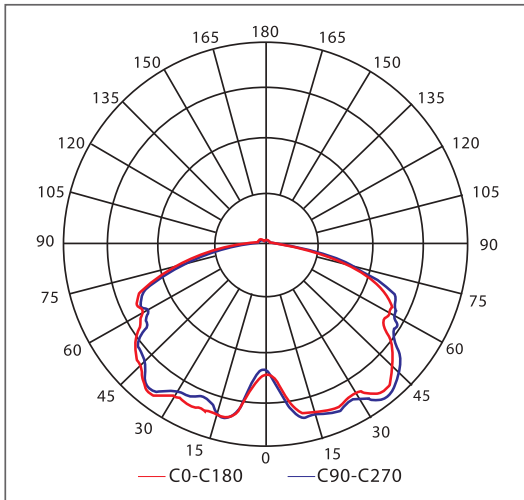
3000K
4000K
5000K

MOTION SENSOR INSTALLATION STEPS

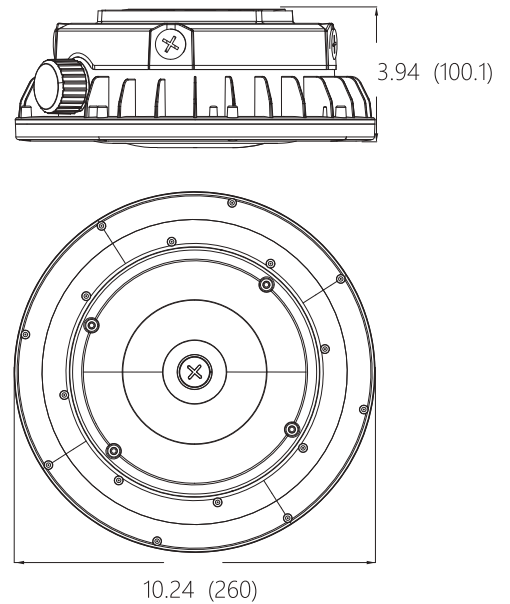
(NO WIRING NEEDED)



PHOTOMETRIC DIAGRAMS



DIMENSIONS INCH (MM)



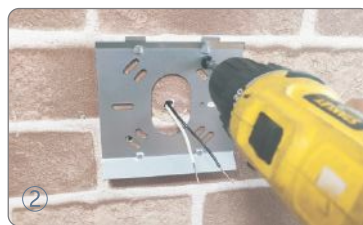
PARKING INFORMATION

MODEL	INNER BOX (MM & INCH) L*W*H	MASTER CARTON (MM & INCH) L*W*H	PCS CTN	NET WEIGHT (KGS & LBS)	GROSS WEIGHT (KGS & LBS)	20GP PCS	40HQ PCS	45HQ PCS
CP02A-40	/	280*280*160 10.02*10.02*5.31	1	9.8 / 21.61	11 / 24.25	2,646	6,425	8,125
CP02A-60	/	280*280*160 10.02*10.02*5.31	1	9.8 / 21.61	11 / 24.25	2,646	6,425	8,125
CP02A-75	/	280*280*160 10.02*10.02*5.31	1	9.8 / 21.61	11 / 24.25	2,646	6,425	8,125

INSTALLATION METHODS



1. Loosen the two screws and take out the plate.



2. Install the plate on the ceiling.



3. Hanging the fixture on one of the installation screws.



4. Make the wires connection and tighten the screws.



5. Slide the fixture one the plate.



6. Tighten the two screws to lock the fixture on the plate.