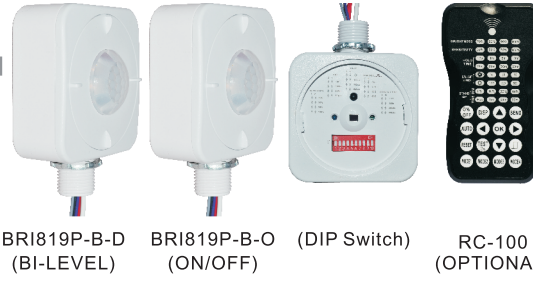


BRI819P Line Voltage Bi-Level Passive Infrared Sensor

Designed for LED fixtures; rated for extreme temperatures and up to 200,000 on/off cycles



PIR sensor modules for mounting between 20-40 feet

Fully adjustable high and low dimmed light levels; optional dusk to dawn control

Multiple mounting options for easy installation



PROJECT	
LOCATION/TYPE	

Product Overview

Description

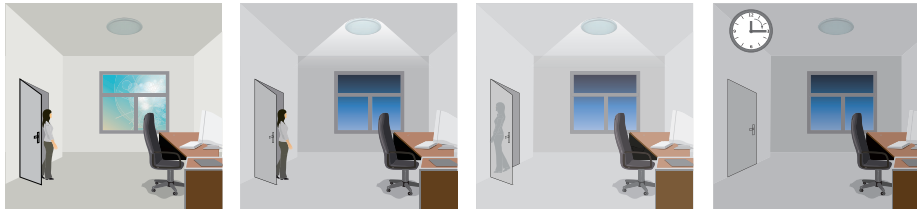
The BRI819P mounts in an indoor lighting fixture and provides multi-level control based on motion. It controls 0-10 VDC LED drivers or dimming ballasts. All control parameters are adjustable via a wireless configuration tool capable of storing and transmitting sensor profiles or by DIP switch.

Applications

The slim, low-profile BRI819P is designed for installation by external lens to connect with light fixture body. The sensor is ideal for areas such as parking facilities, gas stations, pedestrian pathways and warehouses. A choice of two PIR sensor lenses ensures complete coverage for mounting heights up to 40'.

Corridor Function

This function inside the motion sensor to achieve tri-level control, for some areas which require a light change notice before switch-off. The sensor offers 3 levels of light: 100%-->dimmed light (natural light is insufficient)-->off; and 2 periods of selectable waiting time: motion hold-time and stand-by period; Selectable daylight threshold and freedom of detection area.



With sufficient natural light, the light does not switch on when presence is detected.

With insufficient natural light, the sensor switches on the light automatically when presence is detected.

After hold-time, the light dims to stand-by level if the surrounding natural light is below the daylight threshold.

Light switches off automatically after the stand-by period elapses.

Features

- Provides line voltage On/Off switching and 0-10VDC dimming control
- Works with ballasts or LED drivers
- High and low modes fully adjustable from 0 to 10V
- Time delay from 5 to 30 minutes
- Optional cut off delay
- Adjustable ramp up and fade down times
- High inrush stability zero crossing circuitry for reliable, long-life operation
- Latching relay is durable for all load
- UL773A and FCC

Specifications

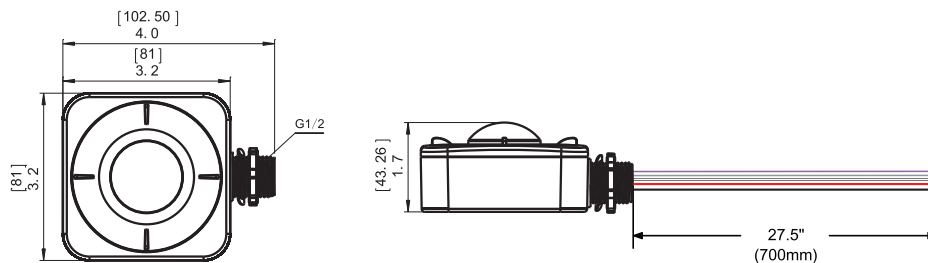
Power supply	120-277VAC 50/60Hz
Maximum load @ -40°F ~ 167°F (-40°C ~ 75°C)	Resistive/Tungsten - 600W@120V Electronic Ballast - 800W/1200W@120/277V
Dim control output	0-10V, max. 25mA sinking current
Detection radius/angle	30ft@40ft height/360, 30ft@25ft height/360
Mounting height	Max 25ft. @L1 Max 40ft. @L2
Remote range	50ft. (15m) indoor, no backlight
Time setting	10sec. -60min. (adjustable)
Light-control	10-2000Lux (adjustable)
Humidity	Max. 95% RH
Temperature	-40°F ~ 167°F (-40°C ~ 75°C)



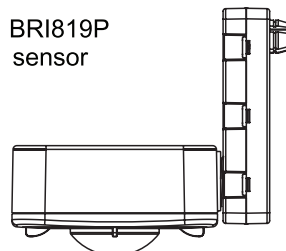
www.sharkward.com
(86)13306608076
info@sharkward.com

Dimensions & Mounting

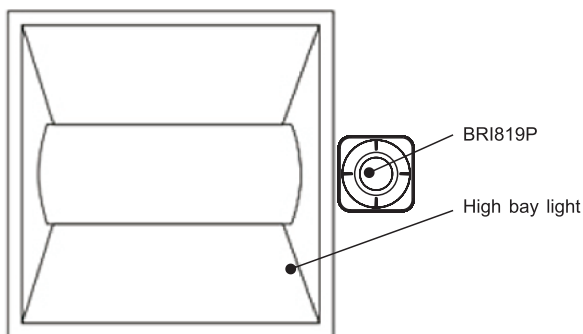
BRI819P Dimensions



Mounting With Extender Module EM1-2

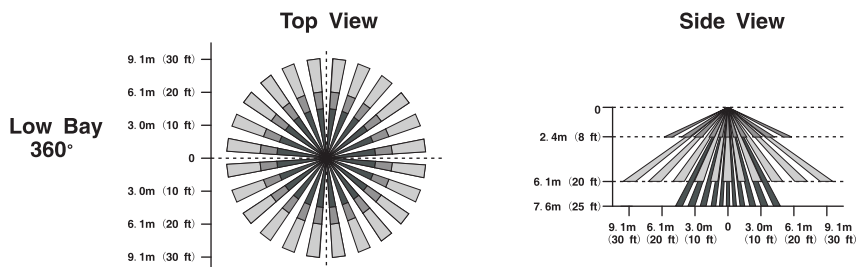


BRI819P Mounted To Linear High Bay Light

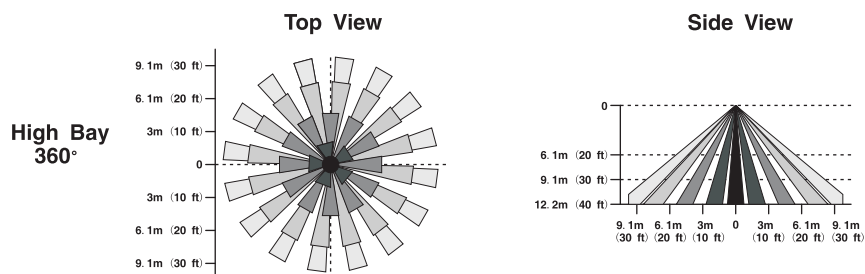


Coverage

L1 Lens



L2 Lens

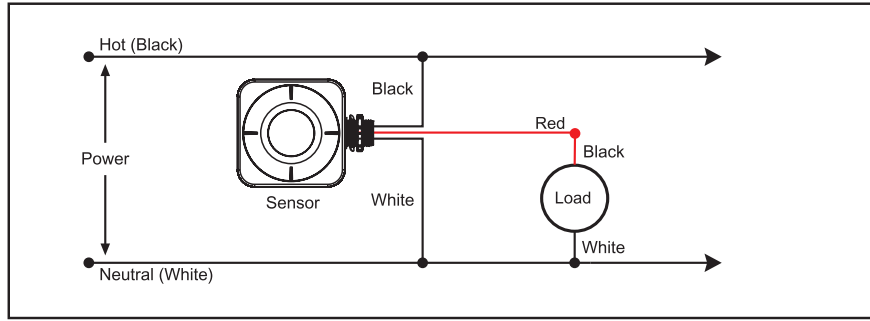


LINE VOLTAGE BI-LEVEL PASSIVE INFRARED SENSOR

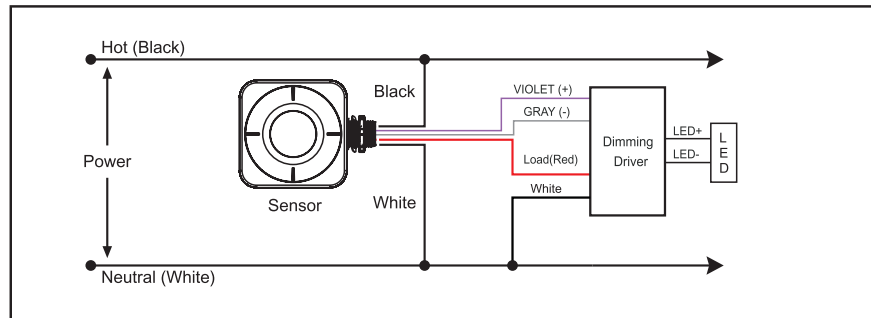


www.sharkward.com
(86)13306608076
info@sharkward.com

Wiring BRI819P-B-O wiring with non-dimming ballast or LED driver.
ON/OFF Sensor



BRI819P-B-D wiring with dimming ballast or LED driver.
Dimming Sensor



Ordering Information

Catalog No.	Color	Description
<input type="checkbox"/> BRI819P-B-O	White	120-277VAC, ON/OFF PIR Sensor
<input type="checkbox"/> BRI819P-B-D	White	120-277VAC, Dimming PIR Sensor
<input type="checkbox"/> L1	White	360° lens, maximum coverage 48' diameter from 8'-20' height
<input type="checkbox"/> L2	White	360° lens, maximum coverage 60' diameter from 8'-50' height
<input type="checkbox"/> EM1-2	White	Extender module
<input type="checkbox"/> RC-100	Black	Remote control Battery : AAA x 2

